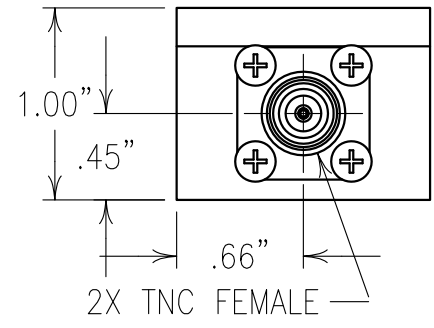
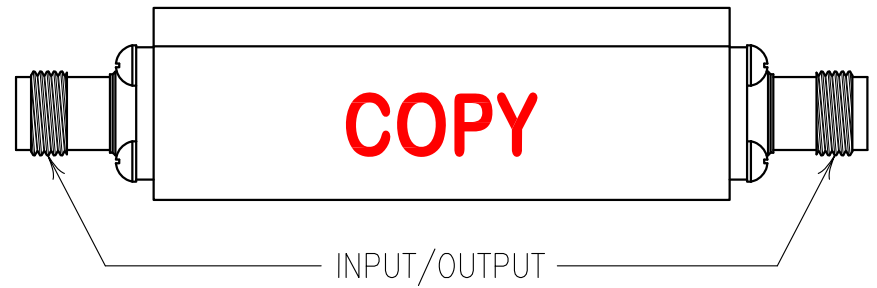
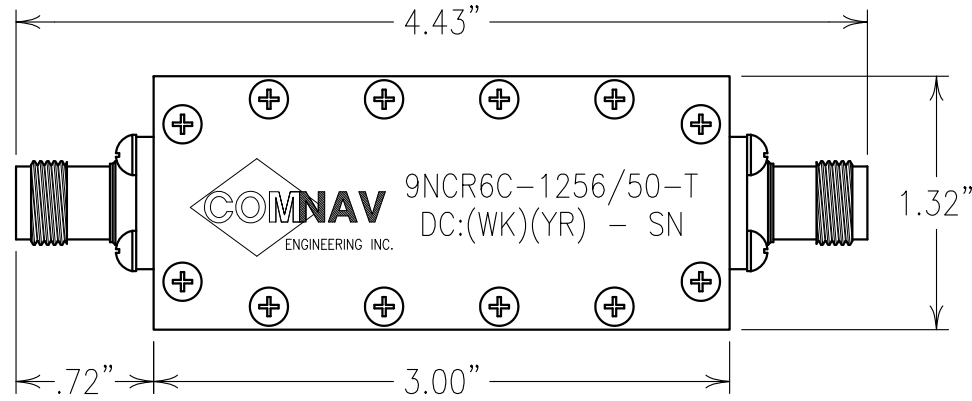


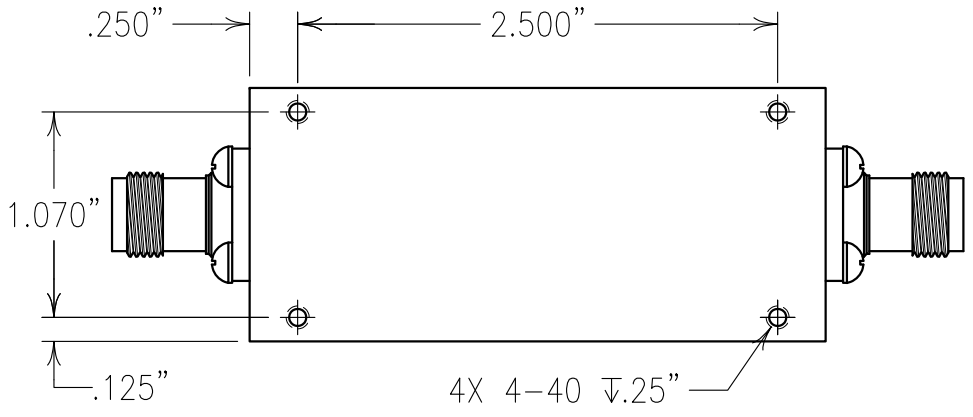
Confidential and Proprietary information of ComNav Engineering Inc. Do Not Duplicate or Use Without Permission. ComNav Engineering Inc. claims Copyright in this document as of the Creation, last revision, and last updated dates. All Rights Reserved.

ELECTRICAL CHARACTERISTICS

PASSBANDS:	1164-1237 MHz 1525-1614 MHz
PASSBAND ATTENUATION:	6.0 dB MAX/ (3 dB MAX GOAL)
PASSBAND FLATNESS:	3 dB PEAK-PEAK
STOPBAND:	1242-1280 MHz
STOPBAND ATTENUATION:	15 dBc MIN @ 1242-1250 MHz 30 dBc MIN @ 1250-1280 MHz
IMPEDANCE (IN/OUT):	50 OHMS
INPUT POWER:	+10 dBm MAX
DC RESISTANCE (IN/OUT):	<0.5 OHM, 400 mA MAX WITHOUT DAMAGE
OPERATING TEMP.:	-40 TO +65°C
STORAGE TEMP.:	-40 TO +85°C



NOTES:
 FILTER IS ROHS COMPLIANT.
 FILTER MAY BE LABELED OR ETCHED.
 LID AND CONNECTORS ARE SEALED WITH LOCTITE 518.
 DESIGNED TO MEET IP67 INGRESS PROTECTION.



ENGLISH / METRIC CHECKED BY ENGLISH	DRAWN BY PBF	II	27FEB14	KJR	DEV.	INI. ISS. PER 3767
TOLERANCES UNLESS OTHERWISE SPECIFIED TO BE 125/ OR BETTER REMOVE ALL BURRS	ENGINEER KJR	REV	DATE	BY	DCN No.	REMARKS
ENGLISH (INCHES) .XX ±.02 .XXX ±.01	METRIC (MM) .X ±.2 .XX ±.13	SCALE 1:1	DATE 10MAR14	APPLIC: CERAMIC FILTER		
ANGLES ± 0° 30'	MATERIAL: ALUMINUM		DRAWING No.		SHEET OF 1 1	
FINISH: NICKEL		9NCR6C-1256/50-T		OL1400		

