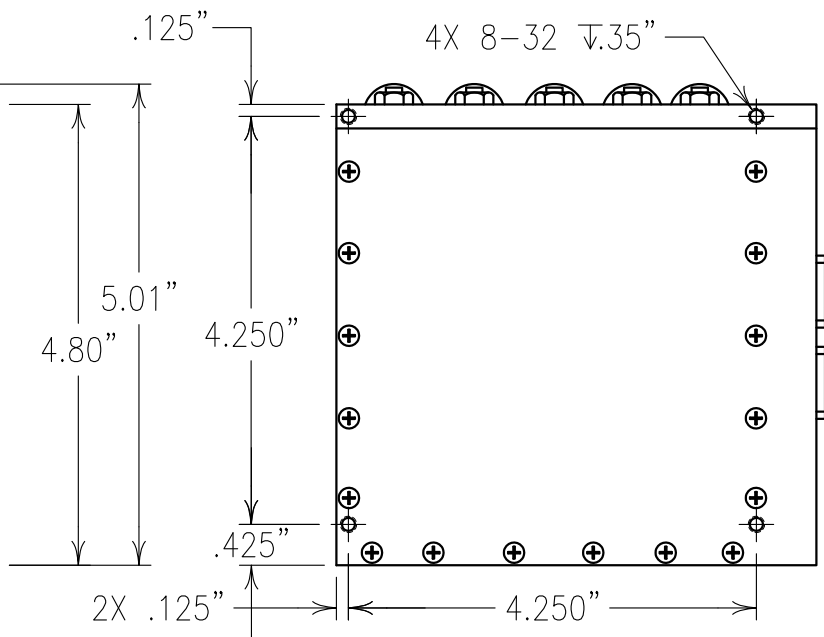
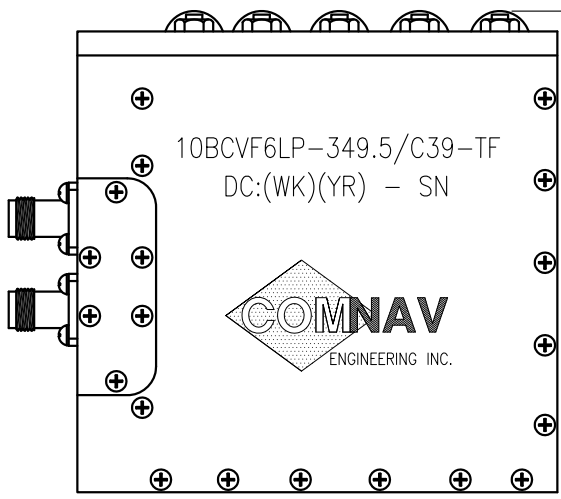
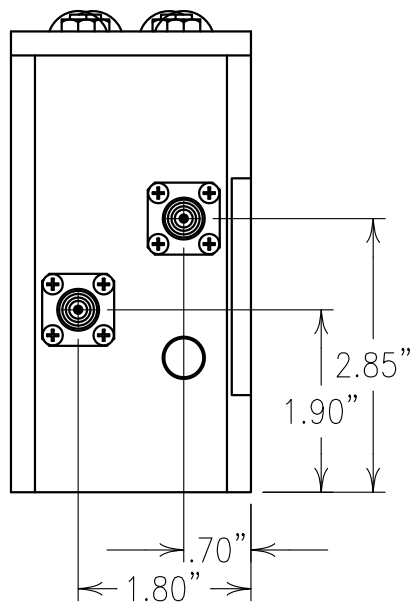
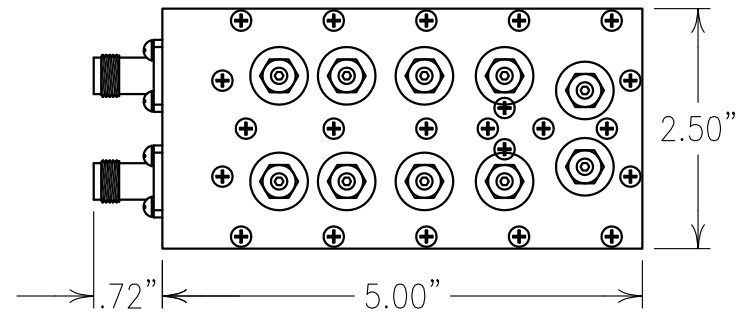


2

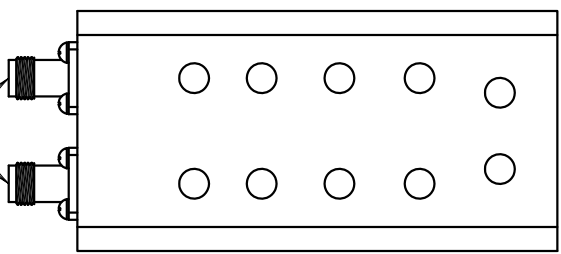
1

ELECTRICAL CHARACTERISTICS	
CENTER FREQUENCY:	349.5 MHz
3 dB BANDWIDTH:	39 MHz NOM
PASSBAND:	331-368 MHz
VSWR:	1.5:1
LOSS:	<1.5 dB
POWER HANDLING:	50 WATTS
STOP BANDS:	
20-321 MHz:	50 dBc
378-2500 MHz:	55 dBc
POWER HANDLING:	10 WATTS

COPY



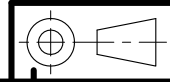
INPUT/OUTPUT
2X TNC FEMALE



NOTES: FILTER MAY BE LABELED OR ETCHED.
FILTER IS ROHS COMPLIANT

ENGLISH / METRIC ENGLISH	CHECKED BY				
TOLERANCES UNLESS OTHERWISE SPECIFIED MACHINED SURFACES TO BE 125/ OR BETTER REMOVE ALL BURRS	DRAWN BY PBF	II	07FEB14	MJG	DEV. INI. ISS. PER 3760
ENGLISH (INCHES) .XX ±.02 .XXX ±.01	ENGINEER MJG	REV	DATE	BY	DCN No. REMARKS
METRIC (MM) .X ±.2 .XX ±.13	SCALE 1:2	APPLIC: COMBLINE FILTER			
ANGLES ± 0° 30'	DATE 10FEB14	TITLE: 10BCVF6LP-349.5/C39-TF			
	MATERIAL: ALUMINUM 6061	DRAWING No.			SHEET OF
	FINISH: SILVER	OL1399			1 1

Confidential and Proprietary information of ComNav Engineering Inc. Do Not Duplicate or Use Without Permission. ComNav Engineering Inc. claims Copyright in this document as of the Creation, last revision, and last updated dates. All Rights Reserved.



B

A

A