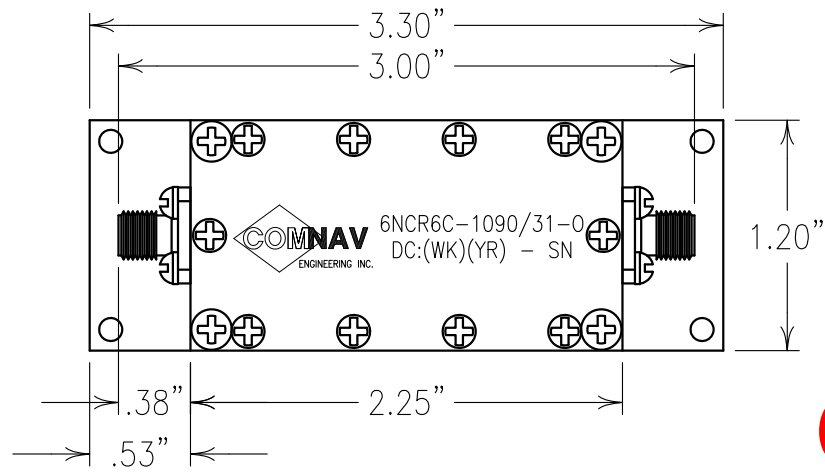


2

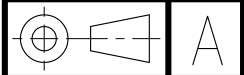
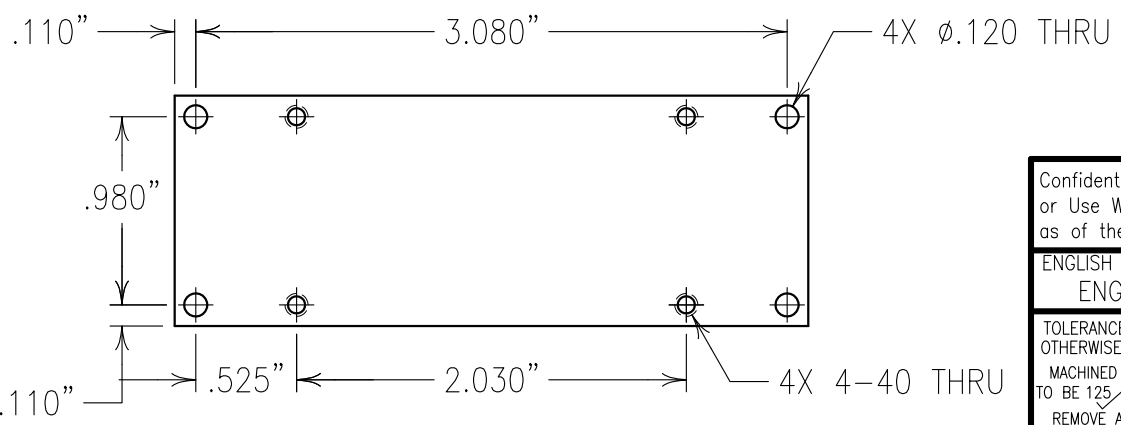
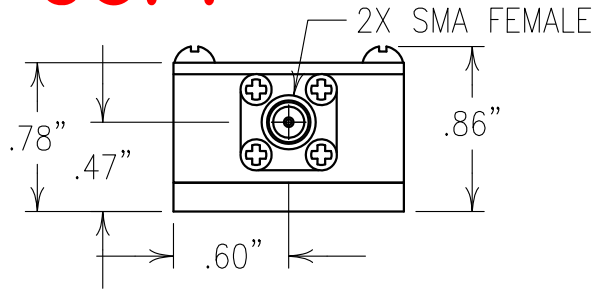
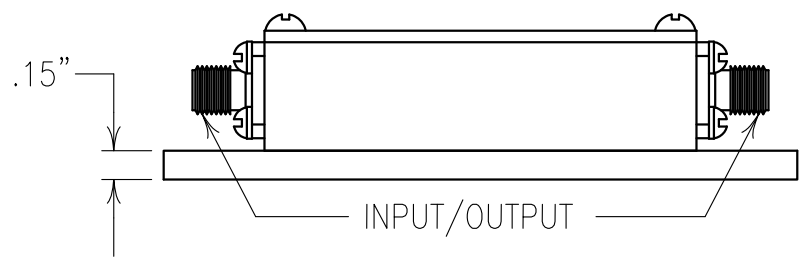
1

ELECTRICAL CHARACTERISTICS

CENTER FREQUENCY: 1090 MHz NOM
 3.0 dB BANDWIDTH: 31 MHz NOM
 STOP BAND:
 <-35 dB @ 1080-1100 MHz
 PASSBAND LOSS:
 <2.0 dB @ 950-1065, 1115-1170 MHz
 <4.0 dB @ 1065-1070, 1110-1115 MHz
 PASSBAND VSWR: 1.7:1
 OPERATING TEMP.: -40 TO +85°C
 POWER HANDLING: 1 WATTS



COPY



Confidential and Proprietary information of ComNav Engineering Inc. Do Not Duplicate or Use Without Permission. ComNav Engineering Inc. claims Copyright in this document as of the Creation, last revision, and last updated dates. All Rights Reserved.

ENGLISH / METRIC CHECKED BY ENGLISH					
TOLERANCES UNLESS OTHERWISE SPECIFIED MACHINED SURFACES TO BE 125 / OR BETTER REMOVE ALL BURRS	DRAWN BY PBF	A	16JAN14	KJR	DEV. GEN. REV. PER 3744
	ENGINEER KJR	II	19DEC13	KJR	DEV. INI. ISS. PER 3737
	REV	DATE	BY	DCN No.	REMARKS

NOTES:

ENGLISH (INCHES) .XX ±.02 .XXX ±.01	METRIC (MM) .X ±.2 .XX ±.13	SCALE 1:1	APPLIC: CERAMIC FILTER WITH PLATE
ANGLES ± 0° 30'	DATE 16JAN14	TITLE: 6NCR6C-1090/31-0	SHEET OF 1 1
MATERIAL: ALUMINUM FINISH: SILVER		DRAWING No. OL1390_W_PLATE	

