

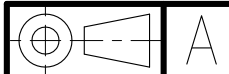
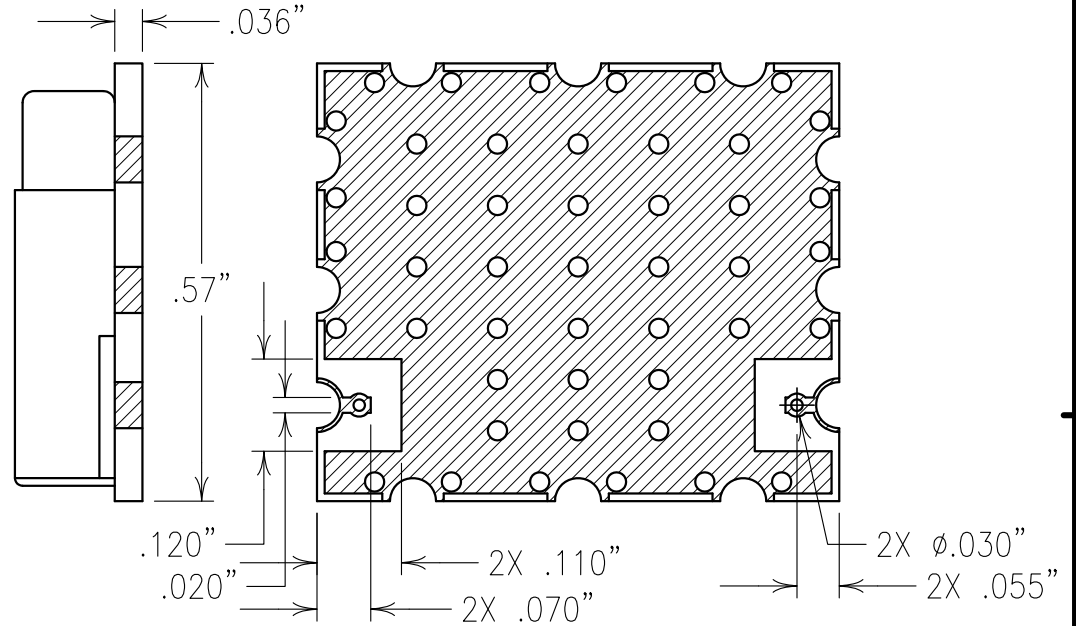
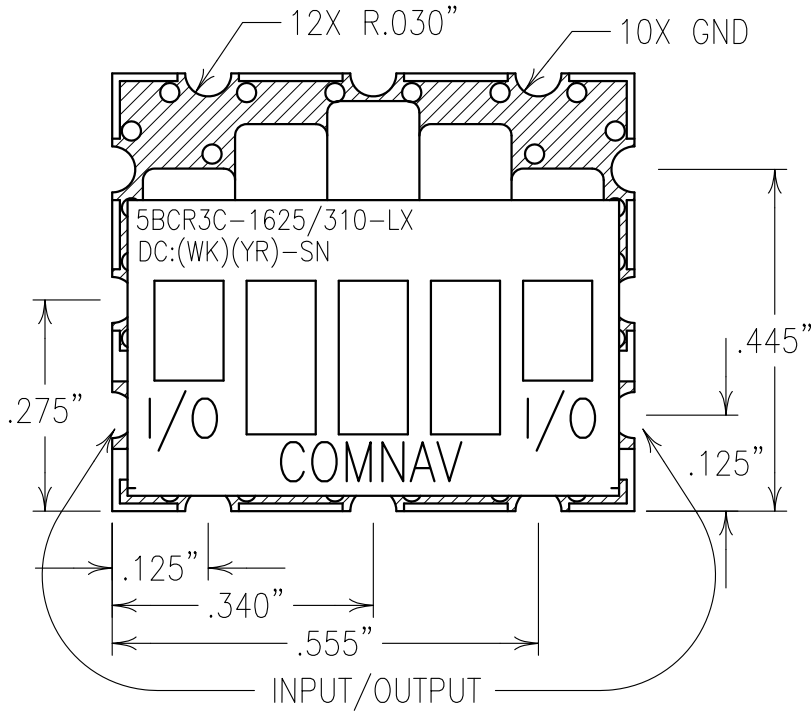
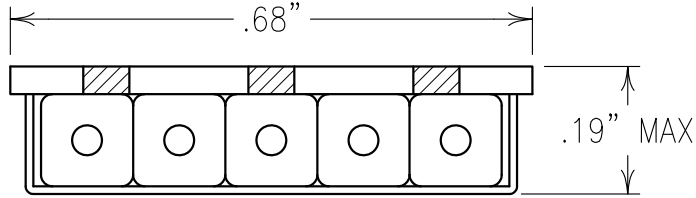
2

1

### ELECTRICAL CHARACTERISTICS

CENTER FREQUENCY: 1625 MHz  
 INSERTION LOSS: 1.25 dB MAX @ 1625 MHz  
 3 dB BANDWIDTH: 250 MHz MIN  
 RETURN LOSS: >15 dB IN/OUT  
 REJECTION:  
 60 dB MIN @ 1000 MHz  
 44 dB MIN @ 2000 MHz

# COPY



NOTES:  
 RECOMMENDED FOOTPRINT: FP0181

RECOMMENDED ATTACHMENT METHOD: SILVER EPOXY  
 OR REFLOW NOT TO EXCEED AS INDICATED BELOW:

TEMP.(°C)	MAX. TIME(SEC)
215	90
230	60
245	30
260	15

FILTER MAY BE LABELED OR ETCHED.  
 FILTER IS ROHS COMPLIANT.

Confidential and Proprietary information of ComNav Engineering Inc. Do Not Duplicate or Use Without Permission. ComNav Engineering Inc. claims Copyright in this document as of the Creation, last revision, and last updated dates. All Rights Reserved.

ENGLISH / METRIC	CHECKED BY						
ENGLISH	ENGLISH						
TOLERANCES UNLESS OTHERWISE SPECIFIED	DRAWN BY	A	17DEC13	KJR	DEV.	GEN. REV. PER 3733	
MACHINED SURFACES TO BE 125/ OR BETTER	PBF	II	06NOV13	KJR	DEV.	INI. ISS. PER 3720	
REMOVE ALL BURRS	ENGINEER	REV	DATE	BY	DCN No.	REMARKS	
ENGLISH (INCHES)	KJR					APPLIC: CERAMIC COAXIAL FILTER	
METRIC (MM)	SCALE					TITLE: 5BCR3C-1625/310-LX	
.XX ±.02	4:1						
.XXX ±.010	DATE						
ANGLES ± 0° 30'	17DEC13						
FINISH: BOARD: NI/GOLD JACKET: NI/SILVER RESONATOR: SILVER		DRAWING No.				SHEET OF 1 1	
COMNAV ENGINEERING INC		0L1387					