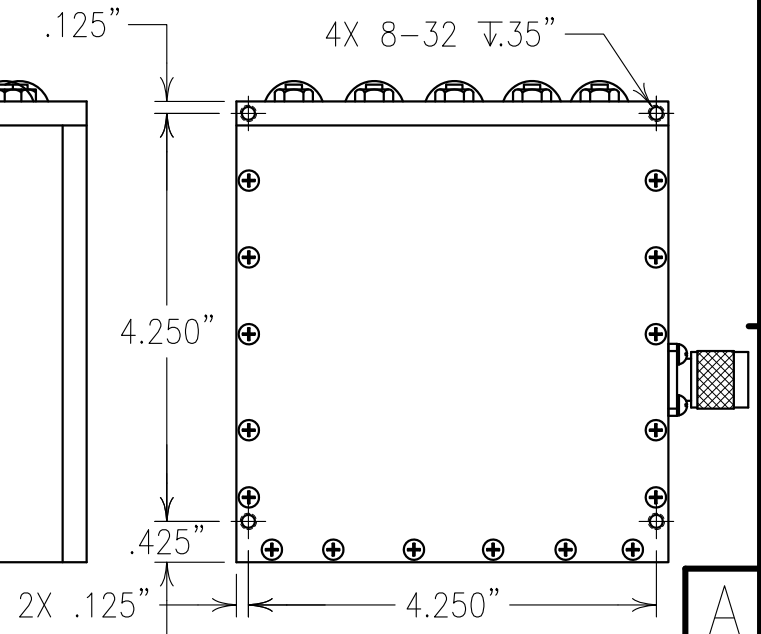
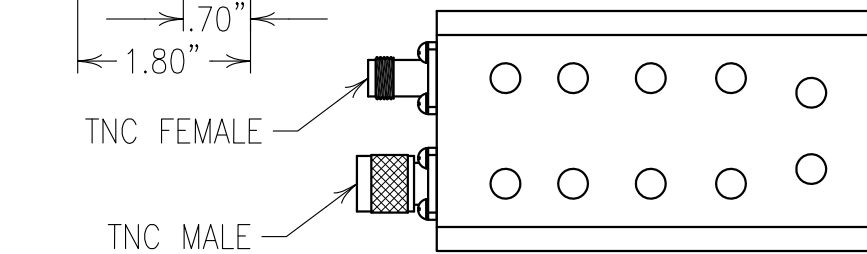
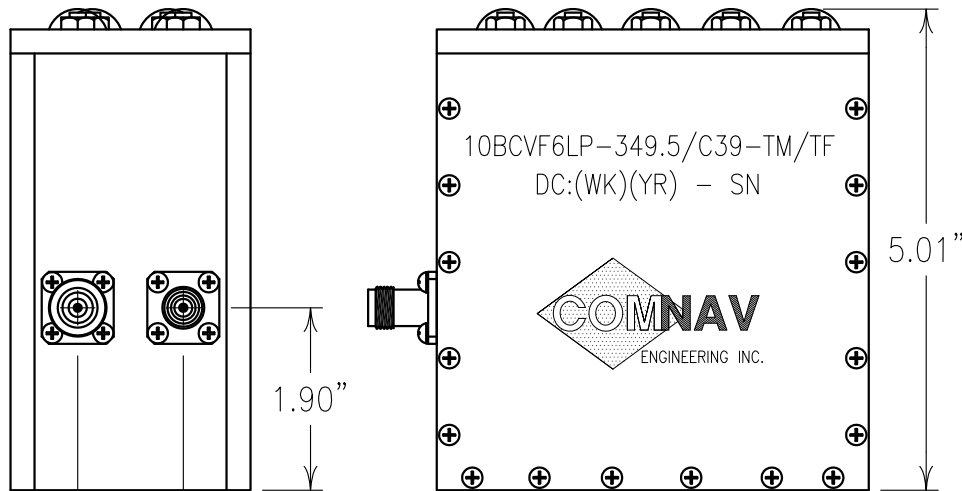


COPY

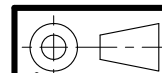
ELECTRICAL CHARACTERISTICS	
CENTER FREQUENCY:	349.5 MHz
3 dB BANDWIDTH:	39 MHz NOM
PASSBAND:	331-368 MHz
VSWR:	1.5:1
LOSS:	<1.5 dB
POWER HANDLING:	50 WATTS
STOP BANDS:	
20-321 MHz:	50 dBc
378-2500 MHz:	55 dBc
POWER HANDLING:	10 WATTS



NOTES: FILTER MAY BE LABELED OR ETCHED.
 FILTER IS ROHS COMPLIANT

ENGLISH / METRIC ENGLISH	CHECKED BY				
TOLERANCES UNLESS OTHERWISE SPECIFIED MACHINED SURFACES TO BE 125 / OR BETTER REMOVE ALL BURRS	DRAWN BY PBF	II	14OCT13	MJG	DEV. INI. ISS. PER 3713
ENGLISH (INCHES) .XX ±.02 .XXX ±.01	METRIC (MM) .X ±.2 .XX ±.13	ENGINEER MJG	REV	DATE	BY DCN No. REMARKS
ANGLES ± 0° 30'	SCALE 1:2	DATE 06NOV13	APPLIC: COMBLINE FILTER		
			TITLE: 10BCVF6LP-349.5/C39-TM/TF		

Confidential and Proprietary information of ComNav Engineering Inc. Do Not Duplicate or Use Without Permission. ComNav Engineering Inc. claims Copyright in this document as of the Creation, last revision, and last updated dates. All Rights Reserved.



MATERIAL: ALUMINUM 6061
 FINISH: SILVER

DRAWING No.
 0L1384

SHEET OF
 1 1