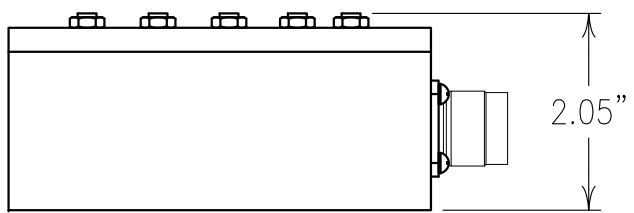
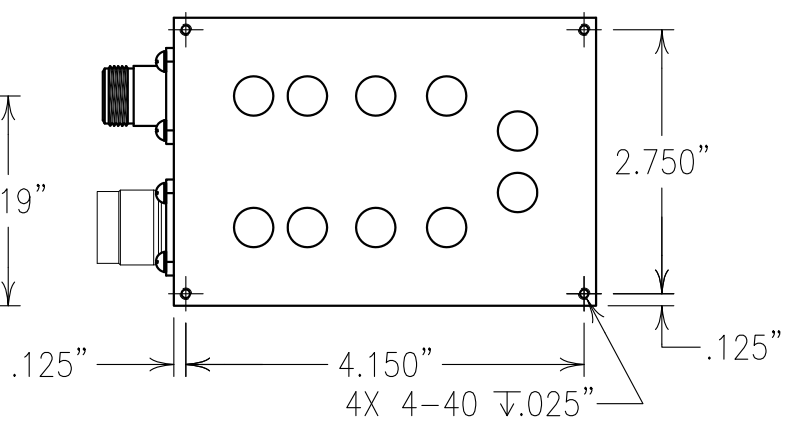
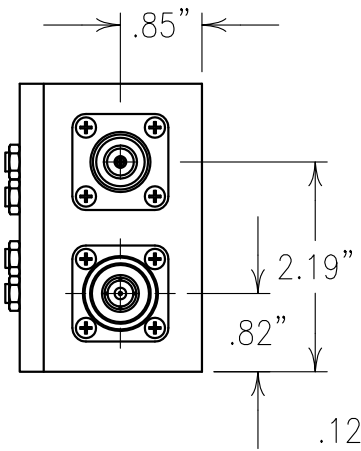
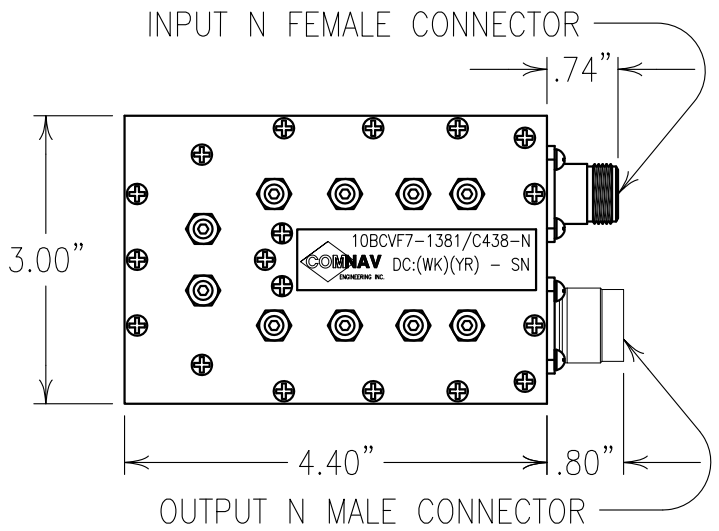
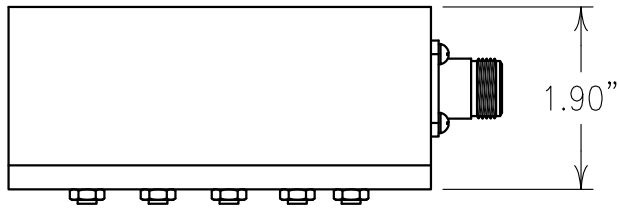


2

1

**COPY**

ELECTRICAL CHARACTERISTICS	
CENTER FREQUENCY:	1381 MHz
3 dB BANDWIDTH:	438 MHz NOM
PASSBAND:	1173.5–1583.5 MHz
LOSS:	<0.5 dB
VSWR:	<1.7:1 TYPICAL
REJECTIONS:	
	35 dBc @ DC–1100 MHz
	30 dBc @ 1650–2500 MHz
POWER HANDLING:	50 WATTS



ENGLISH / METRIC ENGLISH	CHECKED BY				
TOLERANCES UNLESS OTHERWISE SPECIFIED	DRAWN BY				
MACHINED SURFACES TO BE 125/ OR BETTER REMOVE ALL BURRS	PBF	II	11OCT13	MJG	DEV.
	ENGINEER	REV	DATE	BY	DCN No.
	MJG				REMARKS

NOTES: FILTER MAY BE ETCHED OR LABELED. FILTER IS ROHS COMPLIANT.

ENGLISH (INCHES) .XX ±.02 .XXX ±.010 ANGLES ± 0° 30'	METRIC (MM) .X ±.5 .XX ±.25	SCALE 1:2	APPLIC: COMB LINE FILTER	TITLE: 10BCVF7-1381/C438-N	SHEET OF 1 1
		DATE 16OCT13			

Confidential and Proprietary information of ComNav Engineering Inc. Do Not Duplicate or Use Without Permission. ComNav Engineering Inc. claims Copyright in this document as of the Creation, last revision, and last updated dates. All Rights Reserved.

MATERIAL: ALUMINUM	DRAWING No.
FINISH: SILVER OVER COPPER WITH TARNA-BAN MILSPEC QQ-S-365B	0L1382