

2

1

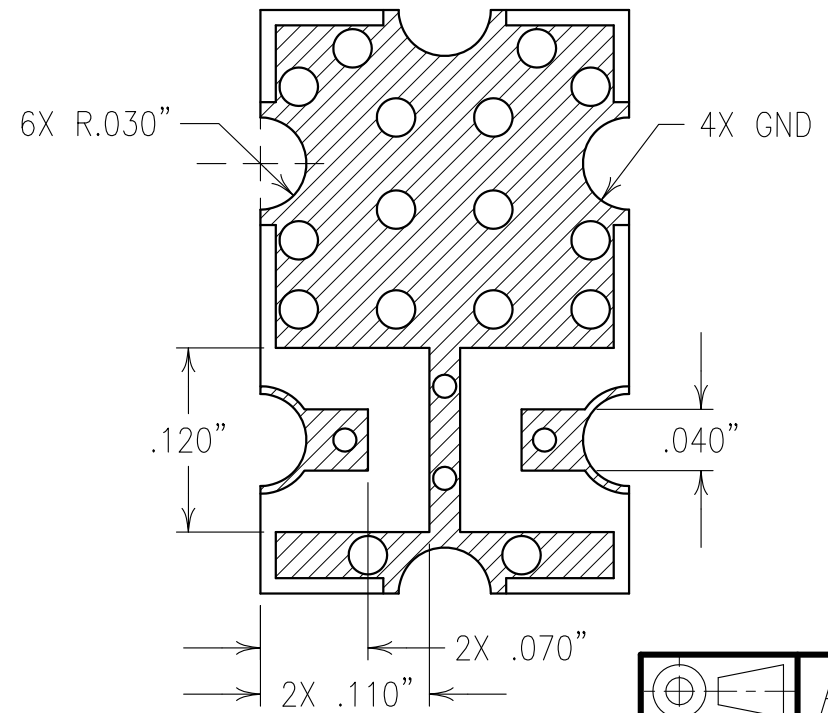
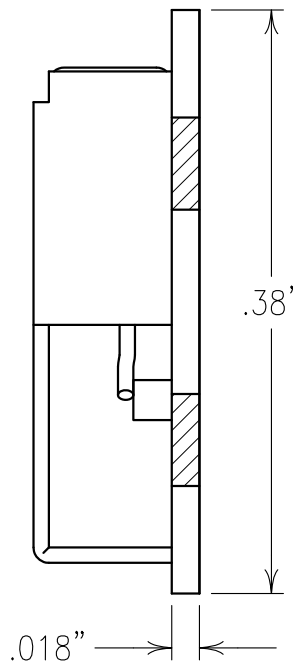
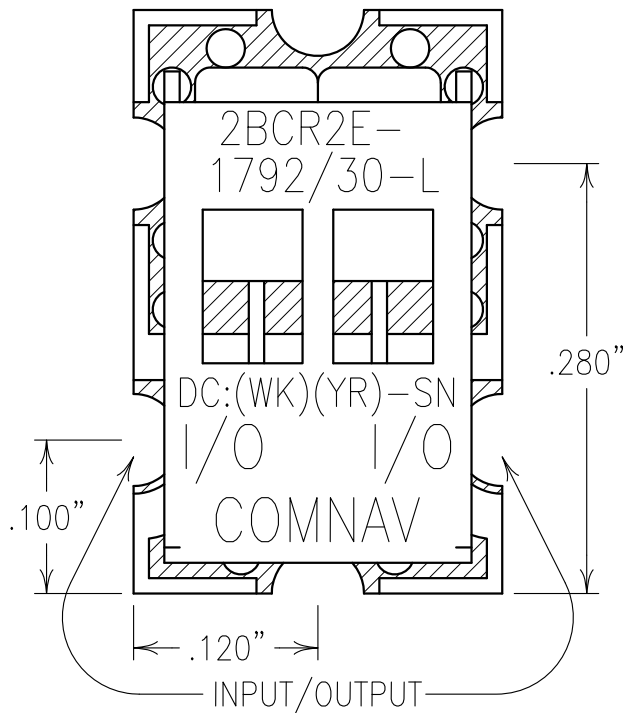
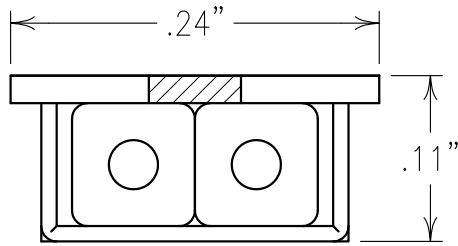
ELECTRICAL CHARACTERISTICS

CENTER FREQUENCY: 1792 MHz NOM
 3 dB BANDWIDTH: 30 MHz NOM
 INSERTION LOSS: 4.0 dB MAX @ FO
 VSWR: TYPICAL TWO POLE SECTION RESPONSE

REJECTION:
 30 dBc @ FO±100 MHz

TEMP. RANGE: -40 TO +85°C
 STORAGE RANGE: -40 TO +85°C

COPY



NOTES:

Confidential and Proprietary information of ComNav Engineering Inc. Do Not Duplicate or Use Without Permission. ComNav Engineering Inc. claims Copyright in this document as of the Creation, last revision, and last updated dates. All Rights Reserved.

RECOMMENDED ATTACHMENT METHOD: SILVER EPOXY
 OR REFLOW NOT TO EXCEED TABLE: TEMP.(°C) MAX. TIME(SEC)

FILTER MAY BE LABELED OR ETCHED.	215	90
FILTER IS ROHS COMPLIANT.	230	60
	245	30
	260	15



ENGLISH / METRIC
 ENGLISH

TOLERANCES UNLESS OTHERWISE SPECIFIED MACHINED SURFACES TO BE 125 OR BETTER REMOVE ALL BURRS

ENGLISH (INCHES)	METRIC (MM)
.XX ±.02	.X ±.25
.XXX ±.010	.XX ±.13
ANGLES ± 0° 30'	

CHECKED BY

DRAWN BY
 PBF
 ENGINEER
 KJR

SCALE
 8:1
 DATE
 05NOV13

A	05NOV13	KJR	DEV.	GEN. REV. PER 3718
II	24SEP13	KJR	DEV.	INI. ISS. PER 3706
REV	DATE	BY	DCN No.	REMARKS

APPLIC: CERAMIC COAXIAL FILTER

TITLE: 2BCR2E-1792/30-L

FINISH: BOARD: NI/GOLD
 JACKET: NI/SILVER
 RESONATOR: SILVER

DRAWING No.
 0L1381

SHEET OF
 1 1