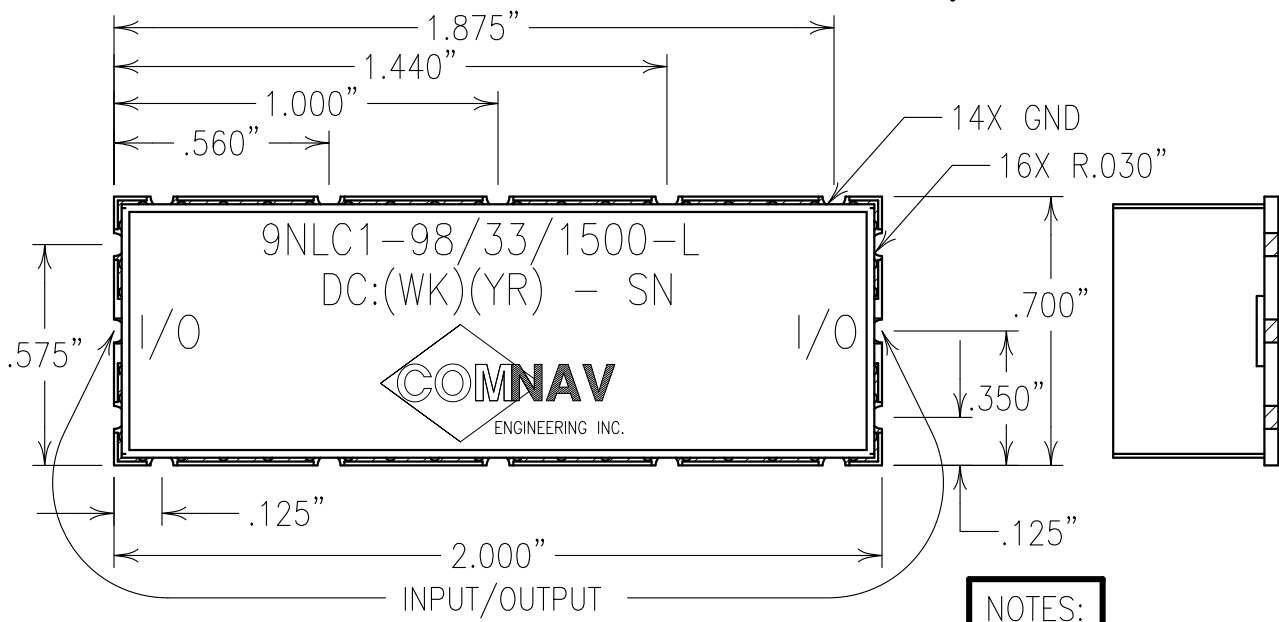
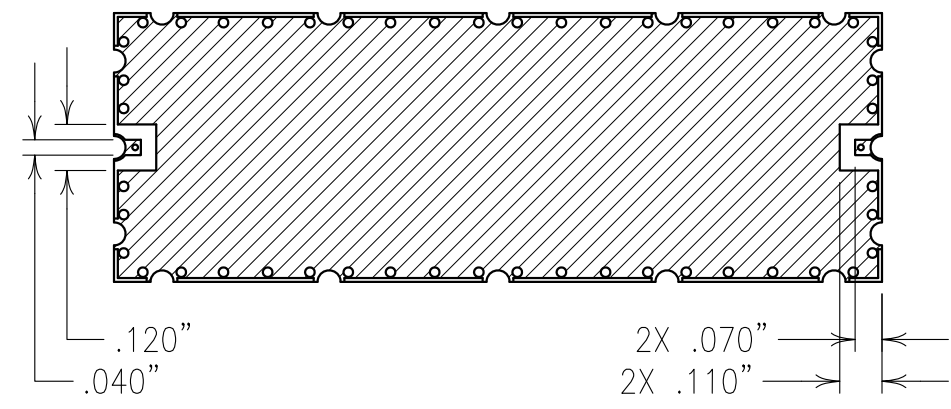
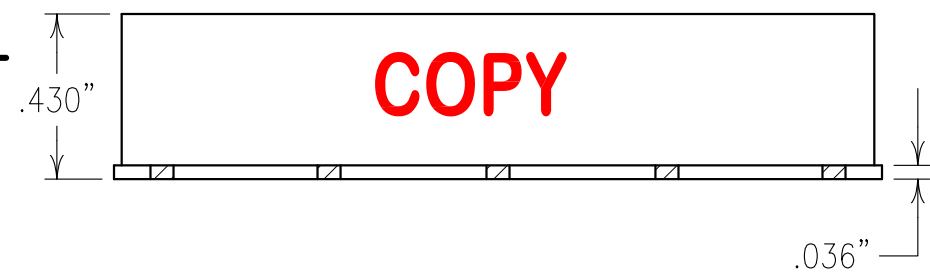


2

1



ELECTRICAL CHARACTERISTICS	
CENTER FREQUENCY:	98 MHz
3 dB BANDWIDTH:	33 MHz NOM.
INSERTION LOSS:	
DC-80 MHz:	<2.5 dB
80-82 MHz:	<4.0 dB
116-125 MHz:	<3.0 dB
125-1500 MHz:	<1.5 dB
ATTENUATION:	
40 dBc MIN @ 88-108 MHz	
MAX. INPUT POWER:	+30 dBm
OPERATING TEMP.:	-40 TO +55°C
VSWR:	2.0:1 TYPICAL
DC CURRENT:	500 mA MAX
DC VOLTAGE:	33 V MAX



NOTES:

CUSTOMER PART NUMBER ETCHED OR LABELED.
 RECOMMENDED ATTACHMENT METHOD: SILVER EPOXY OR REFLOW NOT TO EXCEED AS INDICATED BELOW:

TEMP.(°C)	MAX.TIME(SEC)
215	90
230	60
245	30
260	15

FILTER IS ROHS COMPLIANT.
 FILTER MAY BE ETCHED OR LABELED.

Confidential and Proprietary information of ComNav Engineering Inc. Do Not Duplicate or Use Without Permission. ComNav Engineering Inc. claims Copyright in this document as of the Creation, last revision, and last updated dates. All Rights Reserved.

ENGLISH / METRIC ENGLISH	CHECKED BY B	09JUL14	MJG	DEV.	GEN. REV. PER 3813
TOLERANCES UNLESS OTHERWISE SPECIFIED MACHINED SURFACES TO BE 125 OR BETTER REMOVE ALL BURRS	DRAWN BY PBF	A	30JAN14	MJG	DEV. GEN. REV. PER 3754
	ENGINEER MJG	II	12AUG13	MJG	DEV. INI. ISS. PER 3694
	REV	DATE	BY	DCN No.	REMARKS

ENGLISH (INCHES) .XX ±.01 .XXX ±.005	METRIC (MM) .X ±.2 .XX ±.13	SCALE 2:1	APPLIC: CERAMIC COAXIAL FILTER
ANGLES ± 0° 30'	DATE 09JUL14	TITLE: 9NLC1-98/33/1500-L	

	FINISH: BOARD: NICKEL/GOLD JACKET: NICKEL/SILVER RESONATOR: SILVER	DRAWING No. OL1367	SHEET OF 1 1
--	--	-----------------------	-----------------