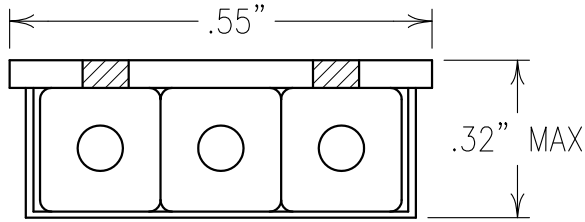


2

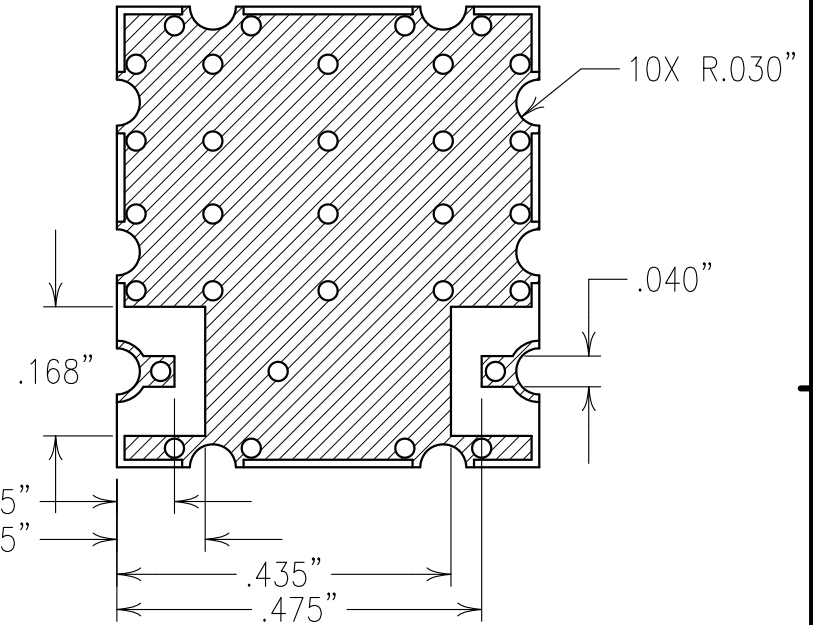
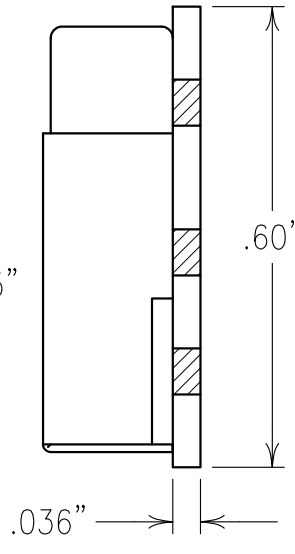
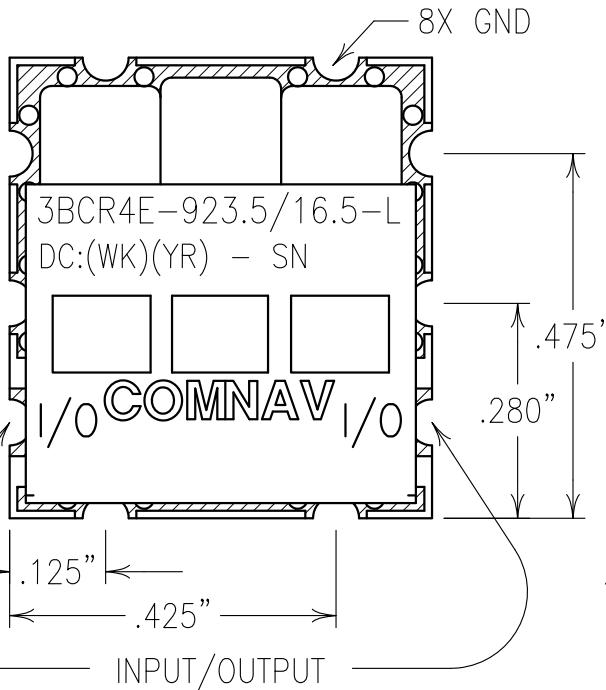


COPY

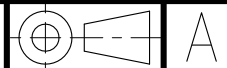
1

ELECTRICAL CHARACTERISTICS

CENTER FREQUENCY (FO): 923.5 MHz
 INSERTION LOSS: 2.75 dB MAX @ FO
 1 dB BANDWIDTH: 15 MHz MIN
 RETURN LOSS: 1.7:1 TYPICAL
 REJECTION: 30 dBc MIN @ FO±40 MHz
 45 dBc MIN @ FO±80 MHz
 60 dBc MIN @ FO±160 MHz



Confidential and Proprietary information of ComNav Engineering Inc. Do Not Duplicate or Use Without Permission. ComNav Engineering Inc. claims Copyright in this document as of the Creation, last revision, and last updated dates. All Rights Reserved.



NOTES:

RECOMMENDED FOOTPRINT: FP0128.

SUPPLY .S2p DATA ON REQUEST.

RECOMMENDED ATTACHMENT METHOD: SILVER EPOXY OR REFLOW NOT TO EXCEED AS INDICATED BELOW:
 TEMP.(°C) MAX. TIME(SEC)

215	90
230	60
245	30
260	15

FILTER WILL BE LABELED (NOTE ABOVE)

FILTER IS ROHS COMPLIANT.

ENGLISH / METRIC		CHECKED BY							
ENGLISH		DRAWN BY							
TOLERANCES UNLESS OTHERWISE SPECIFIED		PBF		II		07AUG13		KJR DEV. INI. ISS. PER 3689	
MACHINED SURFACES TO BE 125/ OR BETTER REMOVE ALL BURRS		ENGINEER		REV		DATE		BY DCN No. REMARKS	
KJR									
ENGLISH (INCHES)	METRIC (MM)	SCALE		APPLIC: CERAMIC COAXIAL FILTER					
.XX ±.02	.X ±.25	4:1		DATE		TITLE: 3BCR4E-923.5/16.5-L			
.XXX ±.010	.XX ±.13			07AUG13					
ANGLES ± 0° 30'		FINISH:		BOARD: NI/GOLD				DRAWING No.	
		COMNAV ENGINEERING INC		JACKET: NI/SILVER				0L1365	
				RESONATOR: SILVER				SHEET OF 1 1	