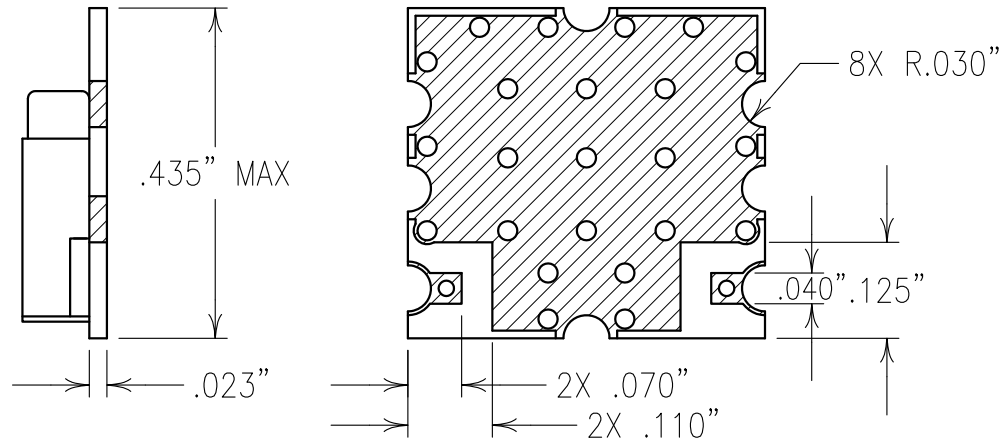
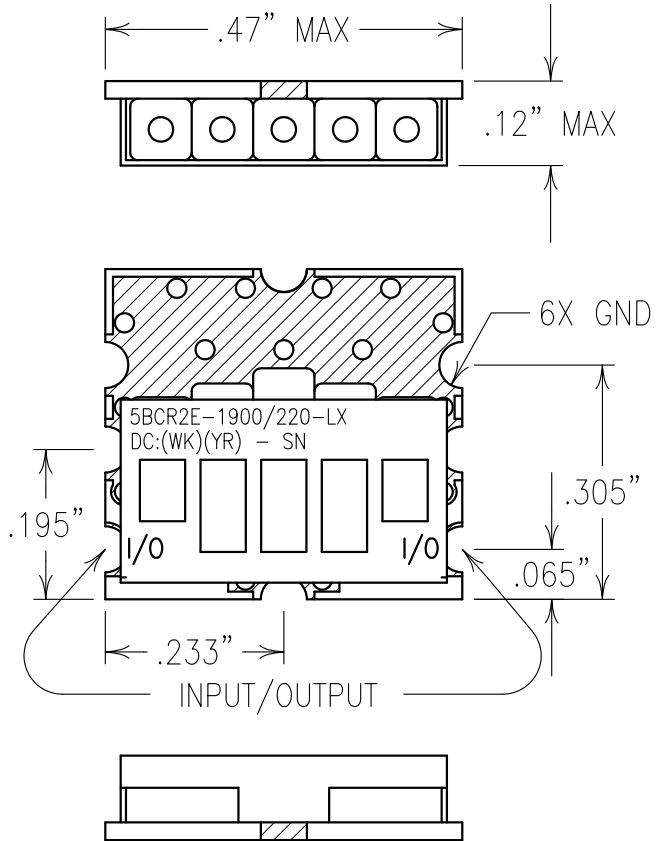


**COPY**

ELECTRICAL CHARACTERISTICS	
CENTER FREQUENCY:	1900 MHz
3 dB BANDWIDTH:	220 MHz NOM.
PASSBAND:	FO±100 MHz
LOSS @ FO:	<1.1 dB
PASSBAND FLATNESS:	<1.0 dB
VSWR:	1.7:1 TYPICAL
REJECTION:	
FO±300 MHz:	48 dBc



NOTES:

CUSTOMER PART NUMBER ETCHED OR LABELED.

RECOMMENDED ATTACHMENT METHOD: SILVER EPOXY OR REFLOW NOT TO EXCEED AS INDICATED BELOW:

TEMP.(°C)	MAX.TIME(SEC)
215	90
230	60
245	30
260	15

FILTER IS ROHS COMPLIANT.

FILTER MAY BE ETCHED OR LABELED.

Confidential and Proprietary information of ComNav Engineering Inc. Do Not Duplicate or Use Without Permission. ComNav Engineering Inc. claims Copyright in this document as of the Creation, last revision, and last updated dates. All Rights Reserved.								A
ENGLISH / METRIC ENGLISH		CHECKED BY						
TOLERANCES UNLESS OTHERWISE SPECIFIED		DRAWN BY		PBF				
MACHINED SURFACES TO BE 125 / OR BETTER REMOVE ALL BURRS		ENGINEER		KJR		REV		DATE
ENGLISH (INCHES)		METRIC (MM)		SCALE		APPLIC:		CERAMIC COAXIAL FILTER
.XX ±.02		.X ±.5		DATE		TITLE:		5BCR2E-1900/220-LX
.XXX ±.010		.XX ±.25		12AUG13		DRAWING No.		OL1364
ANGLES ± 0° 30'		FINISH: BOARD: NICKEL/GOLD JACKET: NICKEL/SILVER RESONATOR: SILVER				SHEET OF		1 1