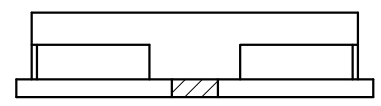
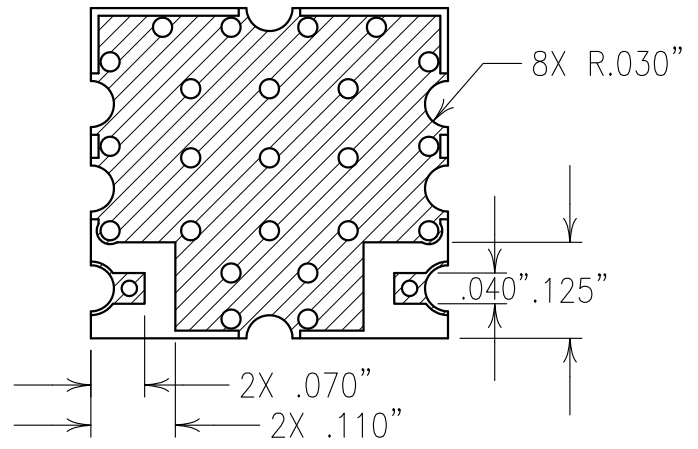
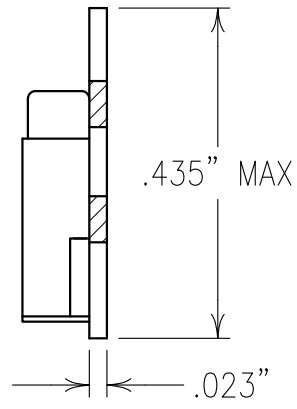
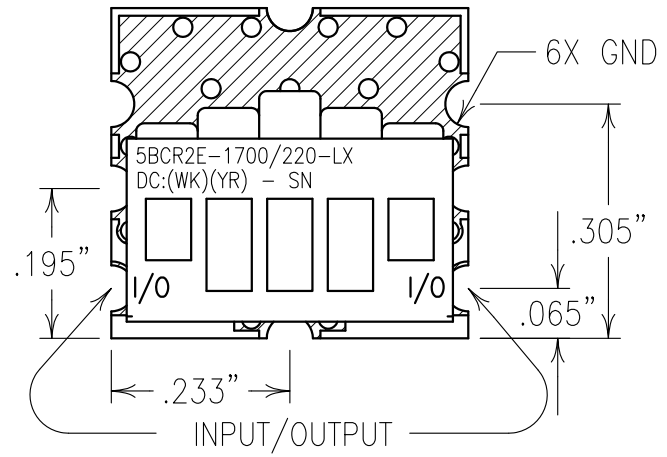
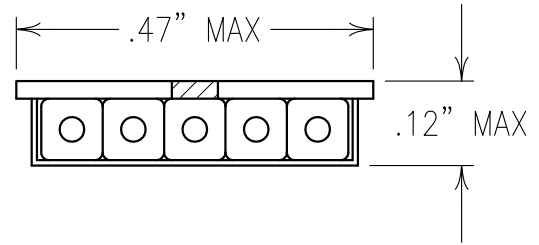


ELECTRICAL CHARACTERISTICS

CENTER FREQUENCY:	1700 MHz
3 dB BANDWIDTH:	220 MHz NOM.
PASSBAND:	FO±100 MHz
LOSS @ FO:	<1.1 dB
PASSBAND FLATNESS:	<1.0 dB
VSWR:	1.7:1 TYPICAL
REJECTION:	
FO±300 MHz:	48 dBc

**COPY**



NOTES:

CUSTOMER PART NUMBER ETCHED OR LABELED.

RECOMMENDED ATTACHMENT METHOD: SILVER EPOXY OR REFLOW NOT TO EXCEED AS INDICATED BELOW:

TEMP.(°C)	MAX.TIME(SEC)
215	90
230	60
245	30
260	15

FILTER IS ROHS COMPLIANT.

FILTER MAY BE ETCHED OR LABELED.

Confidential and Proprietary information of ComNav Engineering Inc. Do Not Duplicate or Use Without Permission. ComNav Engineering Inc. claims Copyright in this document as of the Creation, last revision, and last updated dates. All Rights Reserved.

ENGLISH / METRIC ENGLISH	CHECKED BY				
TOLERANCES UNLESS OTHERWISE SPECIFIED	DRAWN BY				
MACHINED SURFACES TO BE 125 OR BETTER REMOVE ALL BURRS	ENGINEER	II	06AUG13	KJR	DEV. INI. ISS. PER 3688
ENGLISH (INCHES)	SCALE	REV	DATE	BY	DCN No.
.XX ±.02 .XXX ±.010	4:1				
METRIC (MM)	APPLIC:				
.X ±.5 .XX ±.25	CERAMIC COAXIAL FILTER				
ANGLES ± 0° 30'	TITLE:				
	5BCR2E-1700/220-LX				
	DATE				
	12AUG13				

	FINISH: BOARD: NICKEL/GOLD JACKET: NICKEL/SILVER RESONATOR: SILVER	DRAWING No. OL1363	SHEET OF 1 1
--	--	-----------------------	-----------------