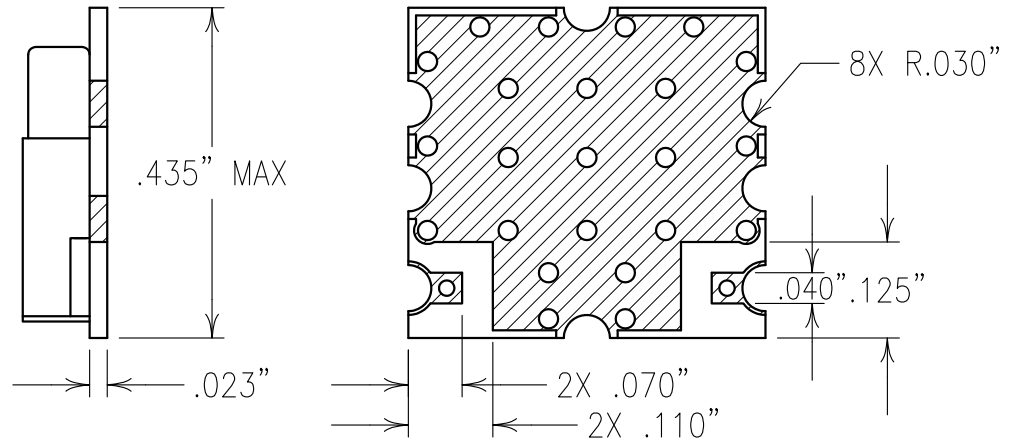
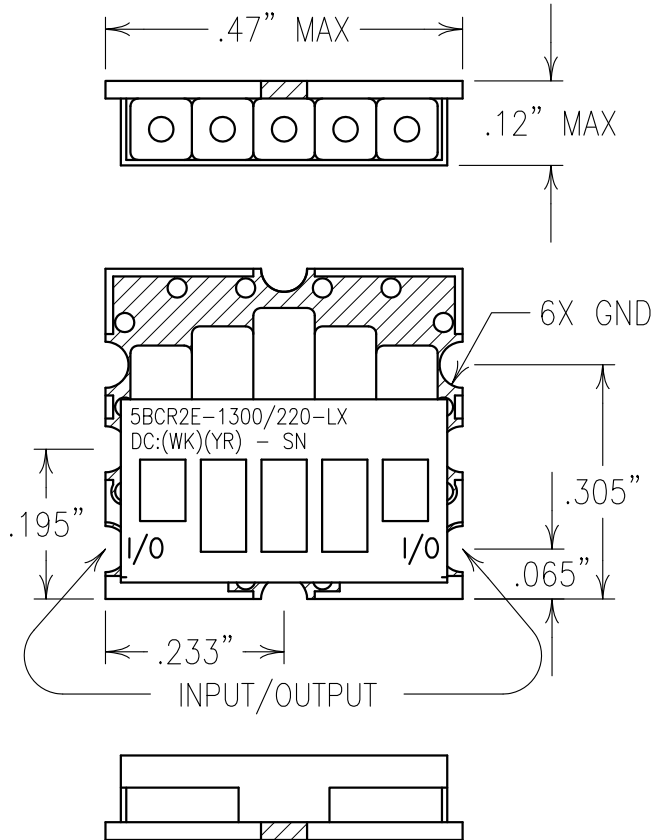


ELECTRICAL CHARACTERISTICS

CENTER FREQUENCY: 1300 MHz  
 3 dB BANDWIDTH: 220 MHz NOM.  
 PASSBAND: FO±100 MHz  
 LOSS @ FO: <1.1 dB  
 PASSBAND FLATNESS: <1.0 dB  
 VSWR: 1.7:1 TYPICAL  
 REJECTION:  
 FO±300 MHz: 48 dBc

**COPY**



NOTES:  
 CUSTOMER PART NUMBER ETCHED OR LABELED.  
 RECOMMENDED ATTACHMENT METHOD: SILVER EPOXY OR REFLOW NOT TO EXCEED AS INDICATED BELOW:  
 TEMP.(°C) MAX.TIME(SEC)

215	90
230	60
245	30
260	15

FILTER IS ROHS COMPLIANT.  
 FILTER MAY BE ETCHED OR LABELED.

Confidential and Proprietary information of ComNav Engineering Inc. Do Not Duplicate or Use Without Permission. ComNav Engineering Inc. claims Copyright in this document as of the Creation, last revision, and last updated dates. All Rights Reserved.								A
ENGLISH / METRIC ENGLISH		CHECKED BY						
TOLERANCES UNLESS OTHERWISE SPECIFIED		DRAWN BY		PBF				
MACHINED SURFACES TO BE 125 / OR BETTER REMOVE ALL BURRS		ENGINEER		KJR		REV		DATE
ENGLISH (INCHES)		METRIC (MM)		SCALE		APPLIC:		CERAMIC COAXIAL FILTER
.XX ±.02		.X ±.5		4:1		TITLE:		5BCR2E-1300/220-LX
.XXX ±.010		.XX ±.25		DATE		BY		DCN No.
ANGLES ± 0° 30'		12AUG13				REMARKS		INI. ISS. PER 3688
		FINISH: BOARD: NICKEL/GOLD JACKET: NICKEL/SILVER RESONATOR: SILVER				DRAWING No.		SHEET OF
						0L1361		1 1