

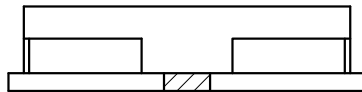
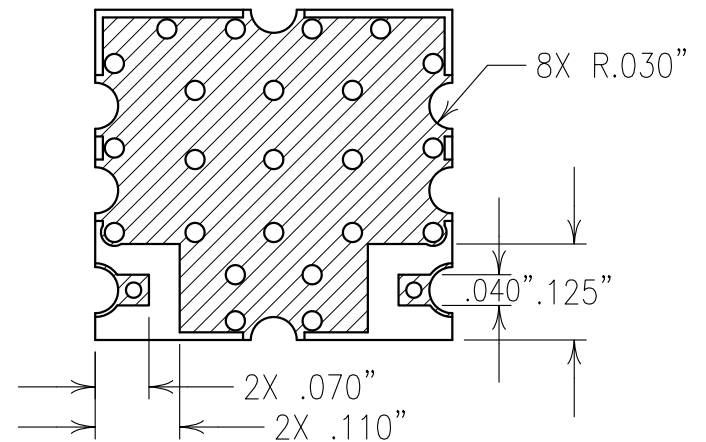
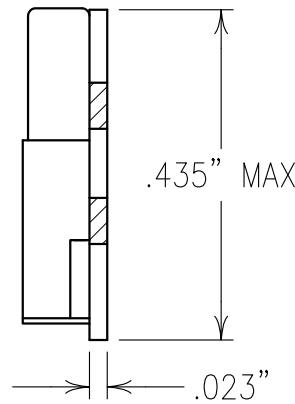
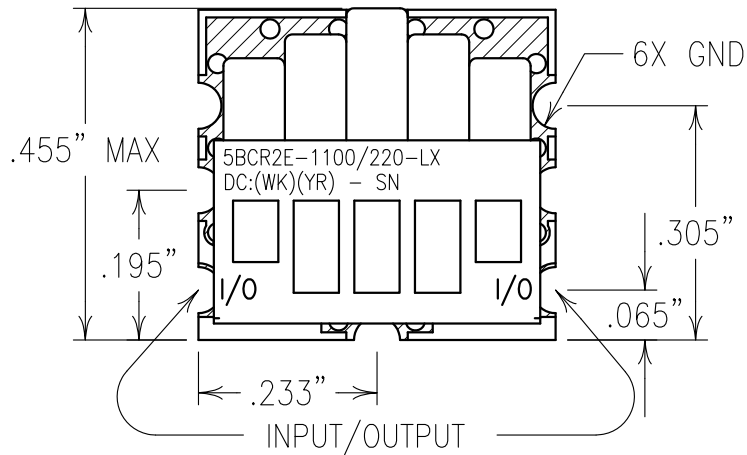
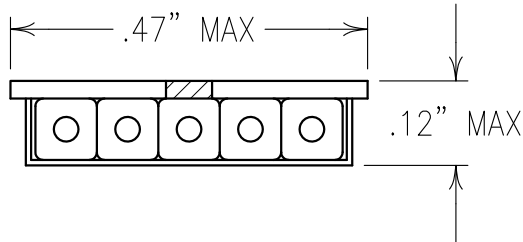
2

1

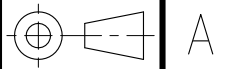
COPY

ELECTRICAL CHARACTERISTICS

CENTER FREQUENCY: 1100 MHz
 3 dB BANDWIDTH: 220 MHz NOM.
 PASSBAND: $FO \pm 100$ MHz
 LOSS @ FO : < 1.1 dB
 PASSBAND FLATNESS: < 1.0 dB
 VSWR: 1.7:1 TYPICAL
 REJECTION:
 $FO \pm 300$ MHz: 48 dBc



Confidential and Proprietary information of ComNav Engineering Inc. Do Not Duplicate or Use Without Permission. ComNav Engineering Inc. claims Copyright in this document as of the Creation, last revision, and last updated dates. All Rights Reserved.



NOTES:

CUSTOMER PART NUMBER ETCHED OR LABELED.

RECOMMENDED ATTACHMENT METHOD: SILVER EPOXY OR REFLOW NOT TO EXCEED AS INDICATED BELOW:

TEMP.(°C) MAX.TIME(SEC)

215	90
230	60
245	30
260	15

FILTER IS ROHS COMPLIANT.

FILTER MAY BE ETCHED OR LABELED.

ENGLISH / METRIC ENGLISH	CHECKED BY				
TOLERANCES UNLESS OTHERWISE SPECIFIED	DRAWN BY	PBF			
MACHINED SURFACES TO BE 125 OR BETTER REMOVE ALL BURRS	ENGINEER	KJR	REV	DATE	BY
ENGLISH (INCHES)	METRIC (MM)	SCALE	APPLIC: CERAMIC COAXIAL FILTER		
.XX ±.02	.X ±.5	4:1	TITLE: 5BCR2E-1100/220-LX		
.XXX ±.010	.XX ±.25	DATE	DRAWING No.		
ANGLES ± 0° 30'		12AUG13	SHEET OF 1 1		
COMNAV ENGINEERING INC.		FINISH: BOARD: NICKEL/GOLD JACKET: NICKEL/SILVER RESONATOR: SILVER		OL1360	