

2

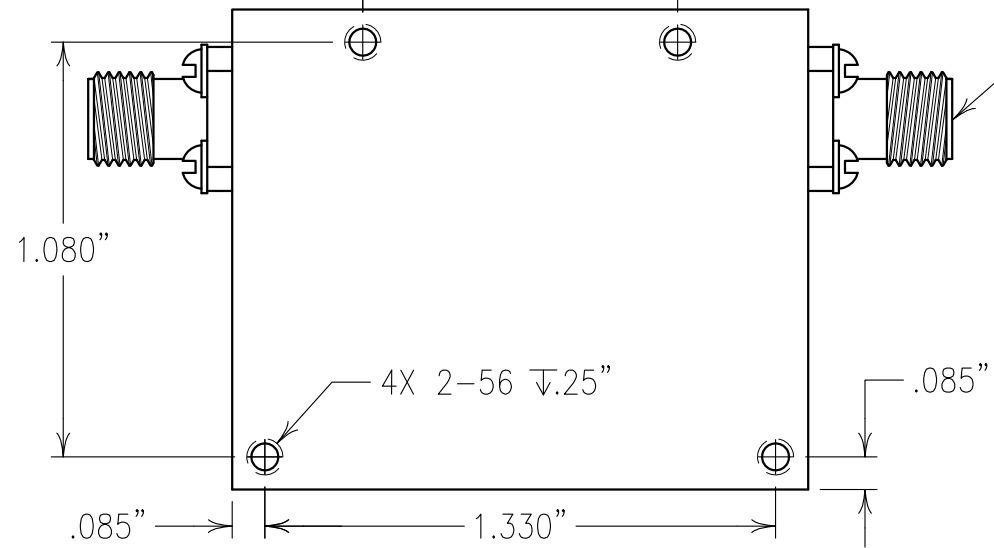
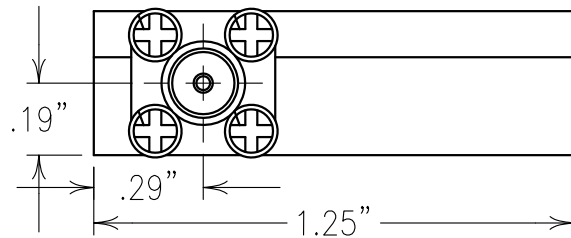
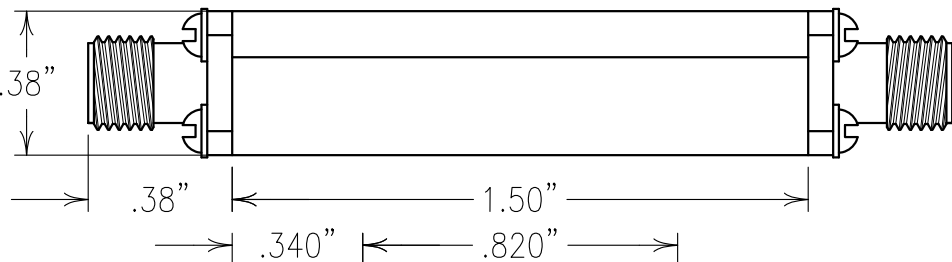
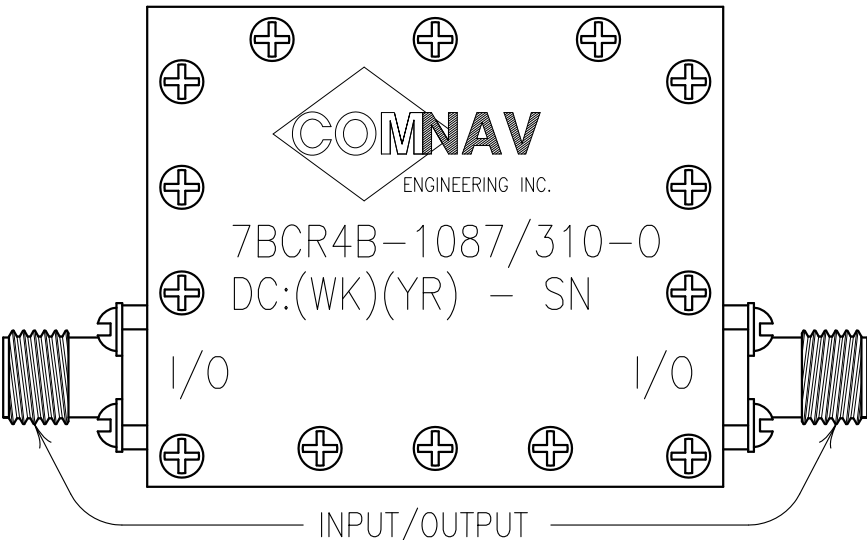
1

COPY

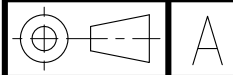
ELECTRICAL CHARACTERISTICS

CENTER FREQUENCY: 1087 MHz
 1 dB PASSBAND: 969-1206 MHz
 1 dB BANDWIDTH: 237 MHz
 P.B. INSERTION LOSS: 1.0 dB MAX
 STOPBAND LOWER FREQ.:
 771 MHz @ 50 dB
 STOPBAND UPPER FREQ.:
 1404 MHz @ 50 dB
 TEMP. RANGE: 0 TO +50°C

NOTES:



2X SMA FEMALE



Confidential and Proprietary information of ComNav Engineering Inc. Do Not Duplicate or Use Without Permission. ComNav Engineering Inc. claims Copyright in this document as of the Creation, last revision, and last updated dates. All Rights Reserved.

ENGLISH / METRIC CHECKED BY ENGLISH					
TOLERANCES UNLESS OTHERWISE SPECIFIED MACHINED SURFACES TO BE 125 / OR BETTER REMOVE ALL BURRS	DRAWN BY PBF				
	ENGINEER KJR	REV II	DATE 01JUL13	BY KJR	DEV. INI. ISS. PER 3675
				DCN No.	REMARKS

ENGLISH (INCHES) .XX ±.02 .XXX ±.01	METRIC (MM) .X ±.2 .XX ±.13	SCALE 2:1	APPLIC: CERAMIC FILTER
ANGLES ± 0° 30'	DATE 03JUL13	TITLE: 7BCR4B-1087/310-0	SHEET OF 1 1

COMNAV ENGINEERING INC. MATERIAL: ALUMINUM FINISH: SILVER DRAWING No. 0L1357

B

A