

**ENVIRONMENTAL**  
(DESIGN TO MEET)

**SHOCK:**  
3 SHOCKS, BOTH DIRECTIONS, EACH AXIS  
30 G SHOCK, 18 mSEC DURATION,  
WAVEFORM HALF-SINE.

**VIBRATION:**  
±4 IN 2 TO 9 Hz, SWEEP RATE:  
1 OCTAVE/MIN.  
±3 G, 9 TO 200 Hz, 1 OCTAVE/MIN.

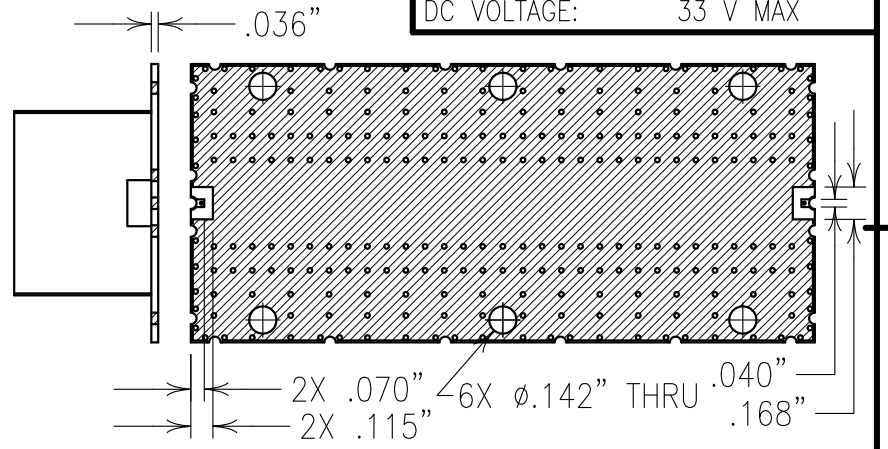
**ELECTRICAL CHARACTERISTICS**

CENTER FREQUENCY: 98 MHz  
3 dB BANDWIDTH: 33 MHz MIN.  
INSERTION LOSS:  
DC-80 MHz: <2.5 dB  
80-82 MHz: <3.5 dB  
116-125 MHz: <2.5 dB  
125-1300 MHz: <1.5 dB

ATTENUATION:  
40 dBc MIN @ 88-108 MHz  
MAX. INPUT POWER: +30 dBm  
OPERATING TEMP.: -40 TO +55°C  
VSWR: 1.7:1 MAX. BETWEEN  
1-82 AND 116-1000 MHz  
2.0:1 MAX.: 1000-1300 MHz

DC CURRENT: 500 mA MAX  
DC VOLTAGE: 33 V MAX

**COPY**



**NOTES:**

RECOMMENDED ATTACHMENT METHOD: SILVER EPOXY  
OR REFLOW NOT TO EXCEED AS INDICATED BELOW:

TEMP.(°C)	MAX.TIME(SEC)
215	90
230	60
245	30
260	15

FILTER IS ROHS COMPLIANT.  
FILTER MAY BE ETCHED OR LABELED.

Confidential and Proprietary information of ComNav Engineering Inc. Do Not Duplicate or Use Without Permission. ComNav Engineering Inc. claims Copyright in this document as of the Creation, last revision, and last updated dates. All Rights Reserved.						A	
ENGLISH / METRIC ENGLISH	CHECKED BY						
TOLERANCES UNLESS OTHERWISE SPECIFIED	DRAWN BY	A	22JUL16	MJG	DEV.	GEN. REV. PER 4033	
MACHINED SURFACES TO BE 125 / OR BETTER REMOVE ALL BURRS	ENGINEER	II	19JUN13	MJG	DEV.	INI. ISS. PER 3672	
	MJG	REV	DATE	BY	DCN No.	REMARKS	
ENGLISH (INCHES)	METRIC (MM)	SCALE	APPLIC: CERAMIC COAXIAL FILTER				
.XX ±.01	.X ±.2	1:1	TITLE: 18NLC1-98/33-LX				
.XXX ±.005	.XX ±.13	DATE	05AUG16				
ANGLES ± 0° 30'							
FINISH: BOARD: NICKEL/GOLD JACKET: NICKEL/SILVER RESONATOR: SILVER					DRAWING No.		SHEET OF
ENGINEERING INC.					0L1353		1 1