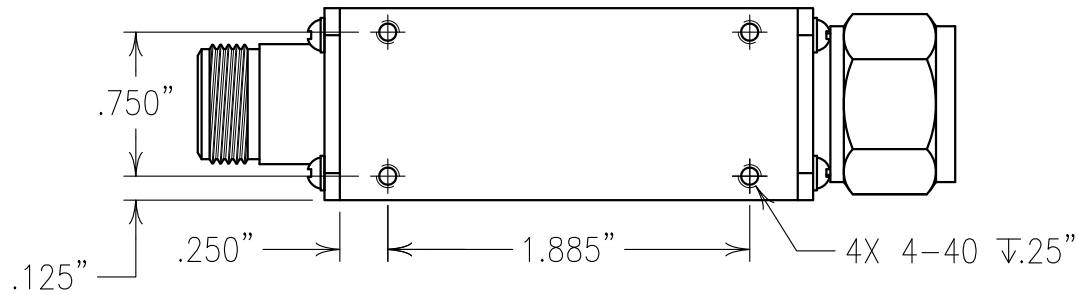


2

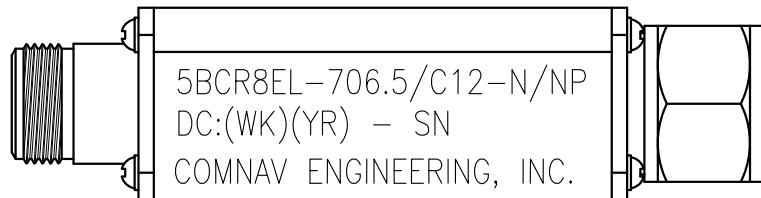
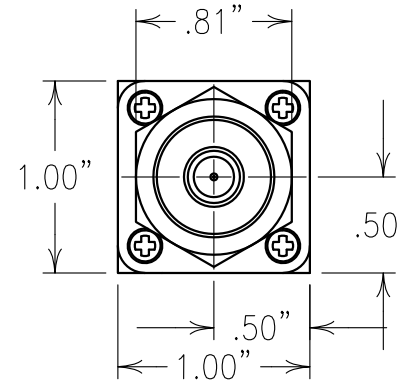
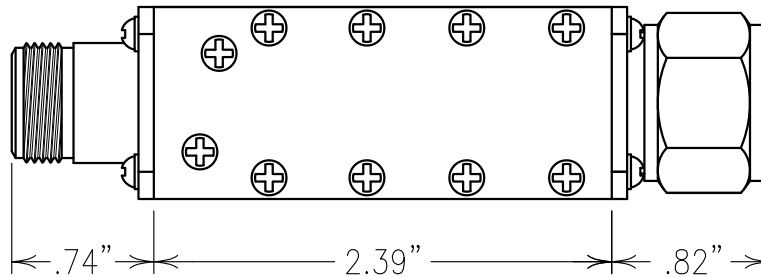
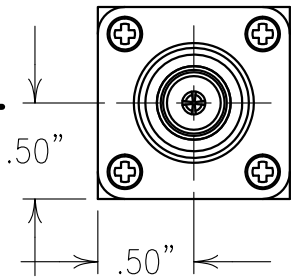
1



ELECTRICAL CHARACTERISTICS	
CENTER FREQUENCY:	706.5 MHz NOM
3 dB BANDWIDTH:	699-714 MHz MIN
INSERTION LOSS:	3.0 dB MAX @ FO
VSWR:	1.5:1 TYPICAL
REJECTION:	
	38 dBc MIN @ DC-692 MHz
	35 dBc MIN @ 721-3500 MHz



**COPY**



Confidential and Proprietary information of ComNav Engineering Inc. Do Not Duplicate or Use Without Permission. ComNav Engineering Inc. claims Copyright in this document as of the Creation, last revision, and last updated dates. All Rights Reserved.

ENGLISH / METRIC ENGLISH	CHECKED BY				
TOLERANCES UNLESS OTHERWISE SPECIFIED	DRAWN BY				
MACHINED SURFACES TO BE 125/100 OR BETTER	ENGINEER	II	30APR13	KJR	DEV. INI. ISS. PER 3656
REMOVE ALL BURRS	ENGINEER				
	KJR	REV	DATE	BY	DCN No. REMARKS

NOTES:

FILTER MUST BE ETCHED.  
 FILTER IS ROHS COMPLIANT.

ENGLISH (INCHES)	METRIC (MM)	SCALE 1:1	APPLIC: CERAMIC COAXIAL FILTER	
.XX ±.02	.X ±.5	DATE 06MAY13	TITLE: 5BCR8EL-706.5/C12-N/NP	SHEET OF 1 1
.XXX ±.010	.XX ±.25			
ANGLES ± 0° 30'		MATERIAL: ALUMINUM	DRAWING No. 0L1341	
COMNAV ENGINEERING INC		FINISH: SILVER OVER COPPER WITH TARNA-BAN MILSPEC QQ-S-365		