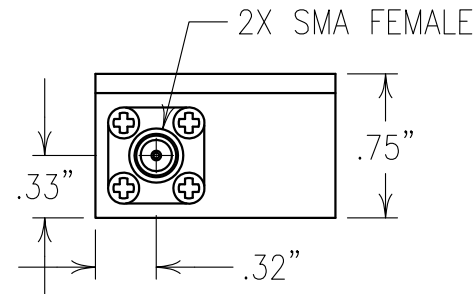
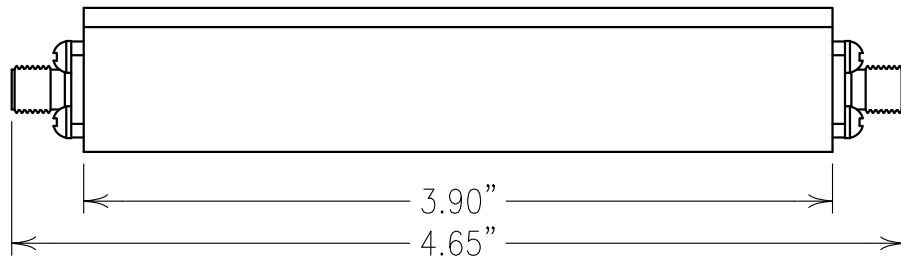
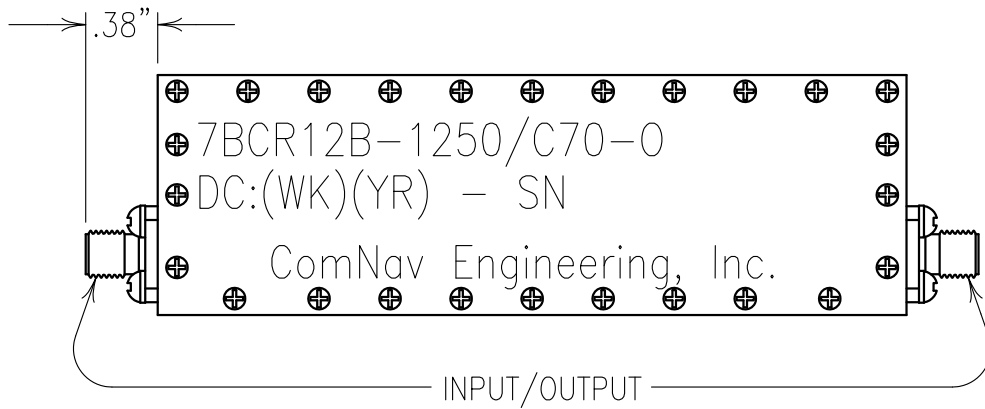


2

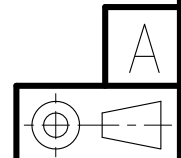
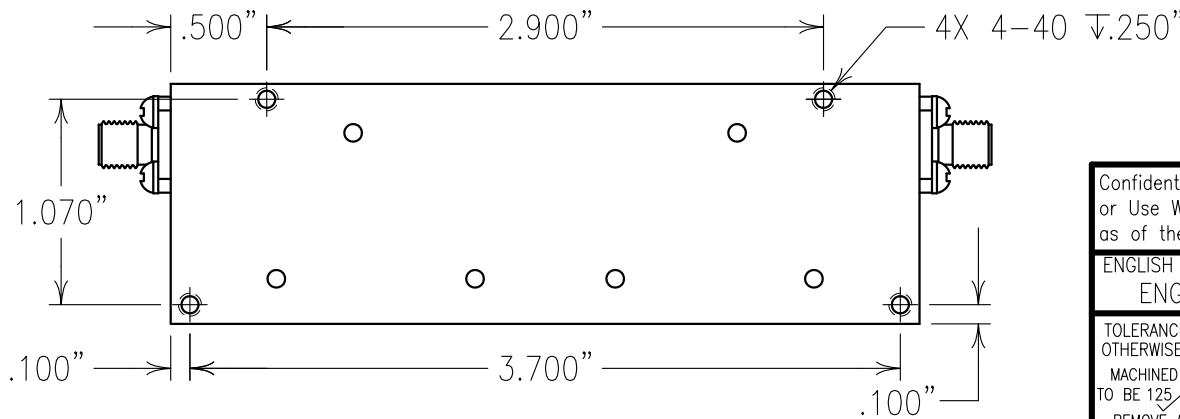
1

ELECTRICAL CHARACTERISTICS

CENTER FREQUENCY: 1250 MHz
 3 dB BANDWIDTH: 70 MHz MIN
 INSERTION LOSS: 1.0 dB @ 1250 MHz
 VSWR: 1.5:1 TYP. IN/OUT
 REJECTION:
 40 dBc MIN @ 1206 MHz
 IMPEDANCE: 50 OHMS IN/OUT
 POWER HANDLING: 2-5 WATTS



COPY



Confidential and Proprietary information of ComNav Engineering Inc. Do Not Duplicate or Use Without Permission. ComNav Engineering Inc. claims Copyright in this document as of the Creation, last revision, and last updated dates. All Rights Reserved.

ENGLISH / METRIC CHECKED BY ENGLISH					
TOLERANCES UNLESS OTHERWISE SPECIFIED TO BE 125/ OR BETTER REMOVE ALL BURRS	DRAWN BY PBF				
	ENGINEER M/JG	II	15APR13	M/JG	DEV. INI. ISS. PER 3649
		REV	DATE	BY	DCN No. REMARKS

ENGLISH (INCHES) .XX ±.02 .XXX ±.01	METRIC (MM) .X ±.2 .XX ±.13	SCALE 1:1	APPLIC: CHIP AND WIRE FILTER
ANGLES ± 0° 30'	DATE 17APR13	TITLE: 7BCR12B-1250/C70-0	

NOTES:

FILTER MAY BE LABELED OR ETCHED.
 FILTER IS ROHS COMPLIANT

COMNAV ENGINEERING INC. MATERIAL: ALUMINUM 6061 FINISH: SILVER DRAWING No. 0L1335 SHEET OF 1 1