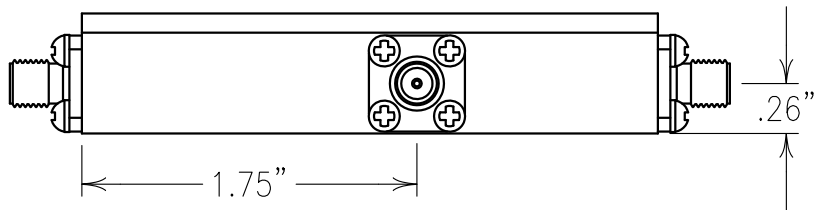
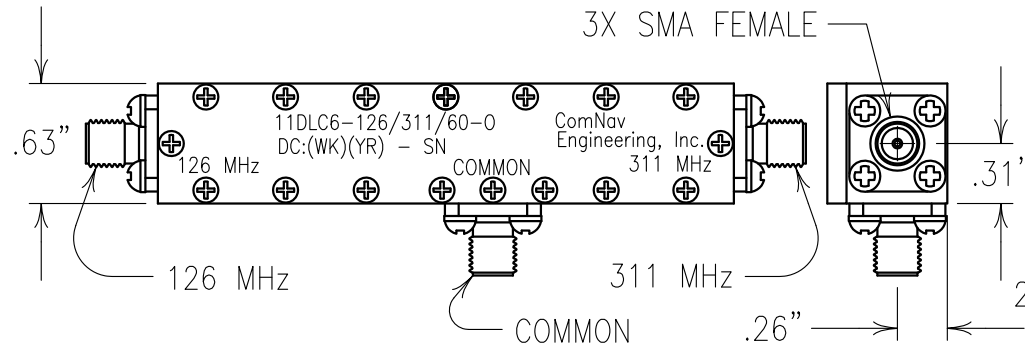
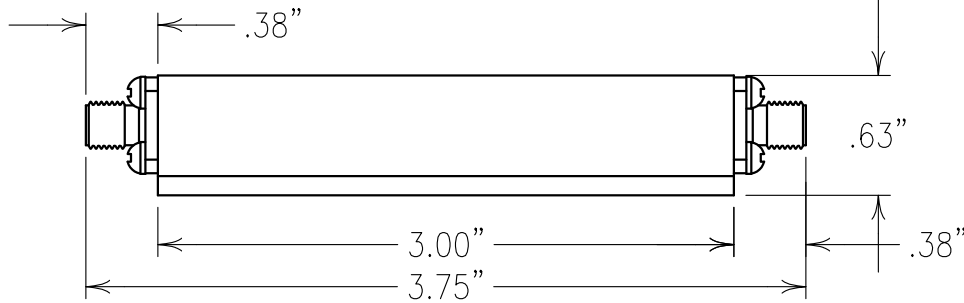


2

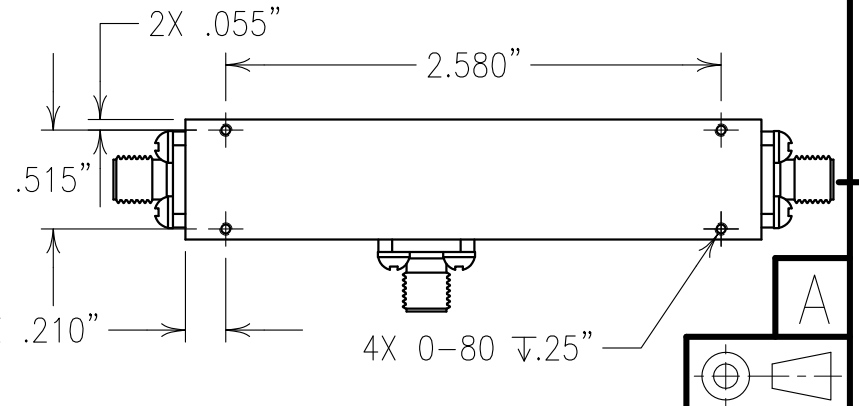
1

COPY



ELECTRICAL CHARACTERISTICS

	CHANNEL 1	CHANNEL 2
CENTER FREQUENCY:	126 MHz	311.04 MHz
1 dB PASSBAND:	40 MHz	40 MHz
RIPPLE:	< ±0.1 dB	< ±0.1 dB
VSWR:	< 1.5:1 TYP.	< 1.5:1 TYP.
INSERTION LOSS:	< 1.0 dB	< 1.0 dB
DELAY VAR.:	< 6 nSEC	< 6 nSEC
REJECTION:	70dB @ 280MHz	80dB @ 155MHz
ULTIMATE REJECTION:	> 80 dB	> 80 dB
IMPEDANCE:	50 OHMS	50 OHMS



Confidential and Proprietary information of ComNav Engineering Inc. Do Not Duplicate or Use Without Permission. ComNav Engineering Inc. claims Copyright in this document as of the Creation, last revision, and last updated dates. All Rights Reserved.

ENGLISH / METRIC CHECKED BY ENGLISH					
TOLERANCES UNLESS OTHERWISE SPECIFIED MACHINED SURFACES TO BE 125/ OR BETTER REMOVE ALL BURRS	DRAWN BY PBF	II	07MAR13	KJR	DEV. INI. ISS. PER 3639
	ENGINEER KJR	REV	DATE	BY	DCN No. REMARKS

NOTES:

FILTER MAY BE LABELED OR ETCHED.
FILTER IS ROHS COMPLIANT

ENGLISH (INCHES) .XX ±.02 .XXX ±.01	METRIC (MM) .X ±.2 .XX ±.13	SCALE 1:1	APPLIC: CHIP AND WIRE FILTER
ANGLES ± 0° 30'	DATE 08MAR13	TITLE: 11DLC6-126/311/60-0	
MATERIAL: ALUMINUM 6061 FINISH: SILVER		DRAWING No. OL1331	SHEET OF 1 1

