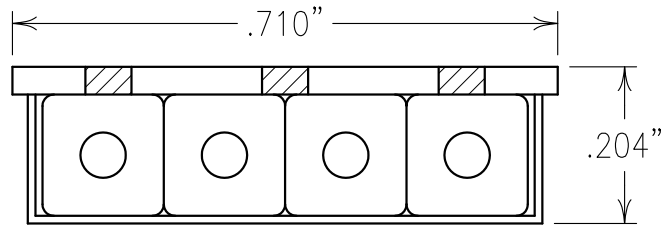


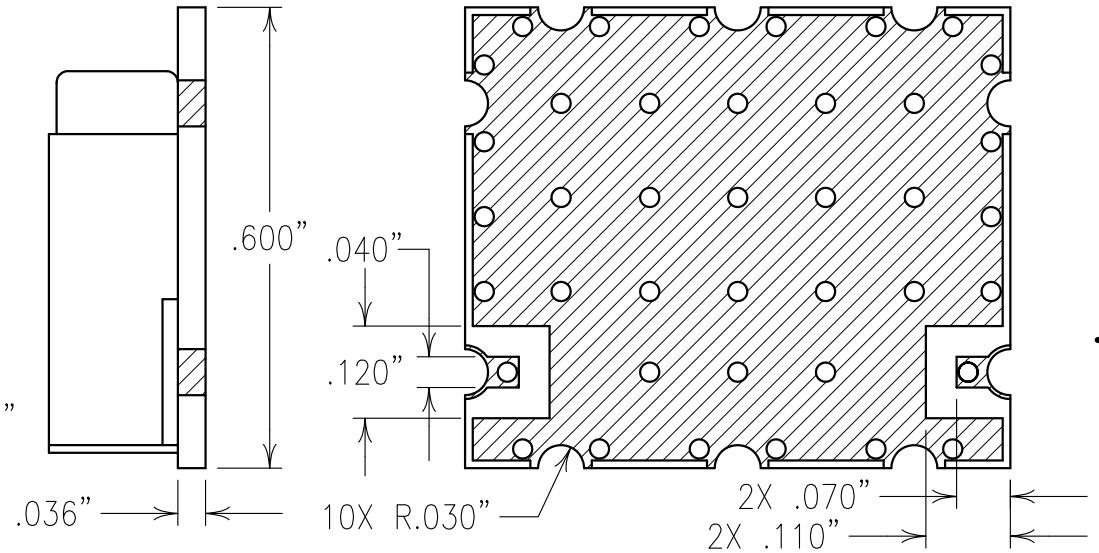
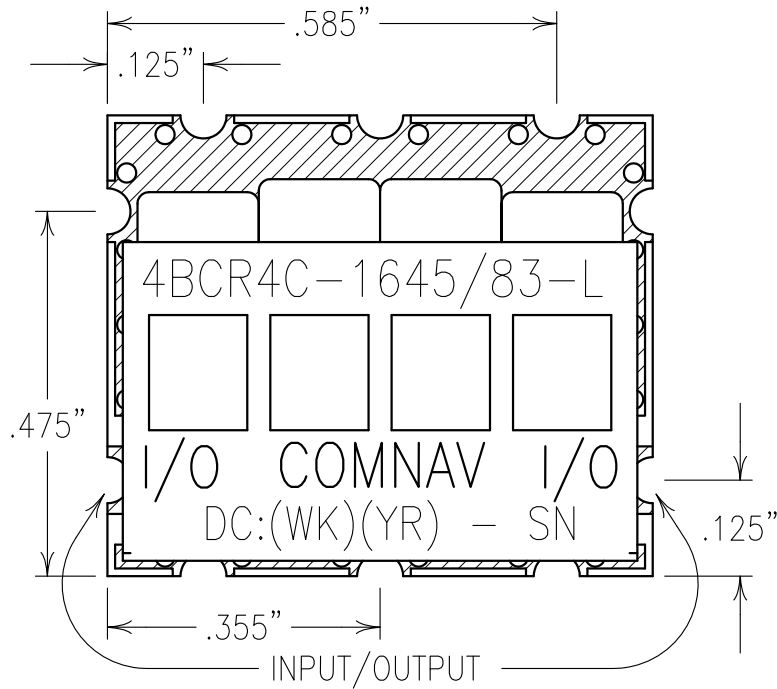
2

1

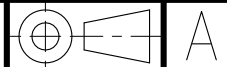


COPY

ELECTRICAL CHARACTERISTICS	
CENTER FREQUENCY:	1645 MHz
INSERTION LOSS:	1.4 dB MAX @ F0
3 dB BANDWIDTH:	83 MHz MIN
1 dB BANDWIDTH:	76 MHz MIN
VSWR:	1.5:1 TYPICAL
REJECTION:	50 dBc MIN @ 1445 AND 1825 MHz



Confidential and Proprietary information of ComNav Engineering Inc. Do Not Duplicate or Use Without Permission. ComNav Engineering Inc. claims Copyright in this document as of the Creation, last revision, and last updated dates. All Rights Reserved.



NOTES:

RECOMMENDED FOOTPRINT: FP0111.

RECOMMENDED ATTACHMENT METHOD: SILVER EPOXY OR REFLOW NOT TO EXCEED AS INDICATED BELOW:

TEMP.(°C) MAX. TIME(SEC)

215	90
230	60
245	30
260	15

FILTER MAY BE LABELED OR ETCHED. FILTER IS ROHS COMPLIANT.

ENGLISH / METRIC		CHECKED BY					
ENGLISH							
TOLERANCES UNLESS OTHERWISE SPECIFIED		DRAWN BY					
MACHINED SURFACES TO BE 125 / OR BETTER REMOVE ALL BURRS		PBF					
		ENGINEER		II 01MAR13 KJR DEV.		INI. ISS. PER 3636	
		KJR		REV DATE BY DCN No.		REMARKS	
ENGLISH (INCHES)	METRIC (MM)	SCALE 4:1		APPLIC: CERAMIC COAXIAL FILTER			
.XX ±.02	.X ±.25	DATE 01MAR13		TITLE: 4BCR4C-1645/83-L			
.XXX ±.010	.XX ±.13						
ANGLES ± 0° 30'		FINISH:		BOARD: NI/GOLD		DRAWING No.	
		COMNAV ENGINEERING INC		JACKET: NI/SILVER		OL1330	
				RESONATOR: SILVER		SHEET OF 1 1	