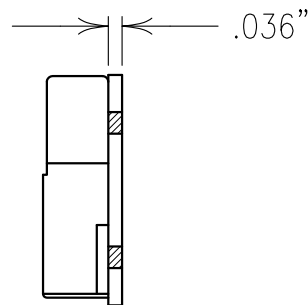
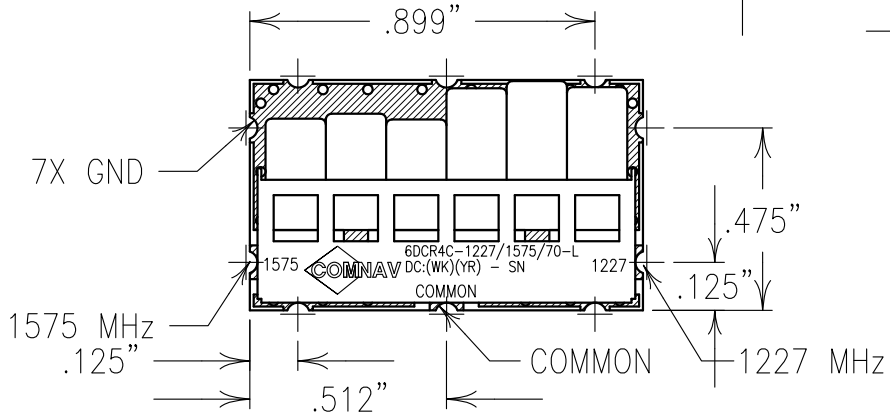
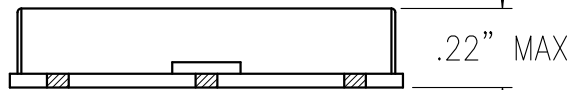
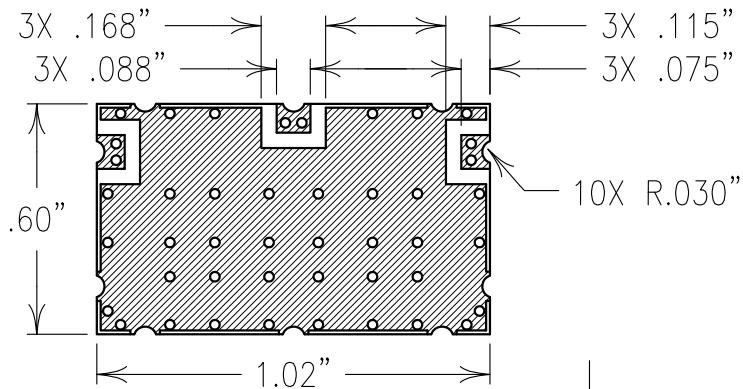


2

1



ELECTRICAL CHARACTERISTICS

SPECIFICATION	L2	L1
CENTER FREQUENCY:	1227 MHz	1575 MHz
PASSBAND:	1213-1241 MHz	1561-1589 MHz
P.B. INSERTION LOSS:	2.5 dB MAX	2.5 dB MAX
PASSBAND VSWR:	1.7:1 TYP	1.7:1 TYP
P.B. GROUP DELAY VAR.:	3.0 nSEC MAX	3.0 nSEC MAX
CO-CHANNEL ISOLATION:	55 dB MIN	55 dB MIN
15 dB REJECTION:	Fo ±50 MHz	Fo ±50 MHz
35 dB REJECTION:	Fo ±100 MHz	Fo ±100 MHz
OPERATING TEMPERATURE:	-55 TO +100°C	
OUT OF BAND POWER HANDLING (1-2 GHz):	2W CONTINUOUS	

**COPY**

NOTES:

RECOMMENDED ATTACHMENT METHOD: SILVER EPOXY  
OR REFLOW NOT TO EXCEED AS INDICATED BELOW:

TEMP.(°C)	MAX.TIME(SEC)
215	90
230	60
245	30
260	15

FILTER IS ROHS COMPLIANT.  
FILTER MAY BE LABELED OR ETCHED.

Confidential and Proprietary information of ComNav Engineering Inc. Do Not Duplicate or Use Without Permission. ComNav Engineering Inc. claims Copyright in this document as of the Creation, last revision, and last updated dates. All Rights Reserved.

ENGLISH / METRIC ENGLISH	CHECKED BY				
TOLERANCES UNLESS OTHERWISE SPECIFIED MACHINED SURFACES TO BE 125 / OR BETTER REMOVE ALL BURRS	DRAWN BY PBF	II	18JAN13	KJR	DEV.
	ENGINEER KJR	REV	DATE	BY	DCN No.
ENGLISH (INCHES) .XX ±.02 .XXX ±.010	METRIC (MM) .X ±.25 .XX ±.13	SCALE 2:1	APPLIC: CERAMIC COAXIAL FILTER		
ANGLES ± 0° 30'	DATE 23JAN13	TITLE: 6DCR4C-1227/1575/70-L			
FINISH: BOARD: NI/AU JACKET: NI/SILVER RESONATOR: SILVER		DRAWING No. OL1326		SHEET OF 1 1	