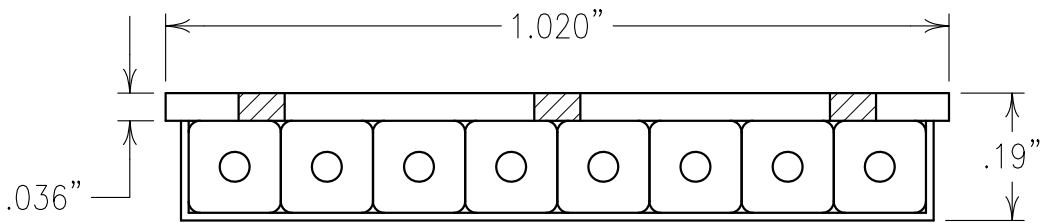


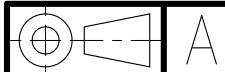
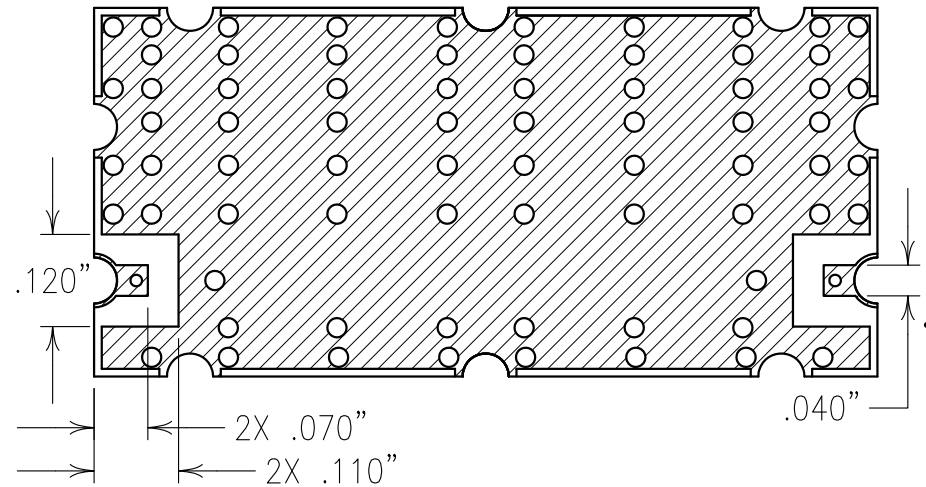
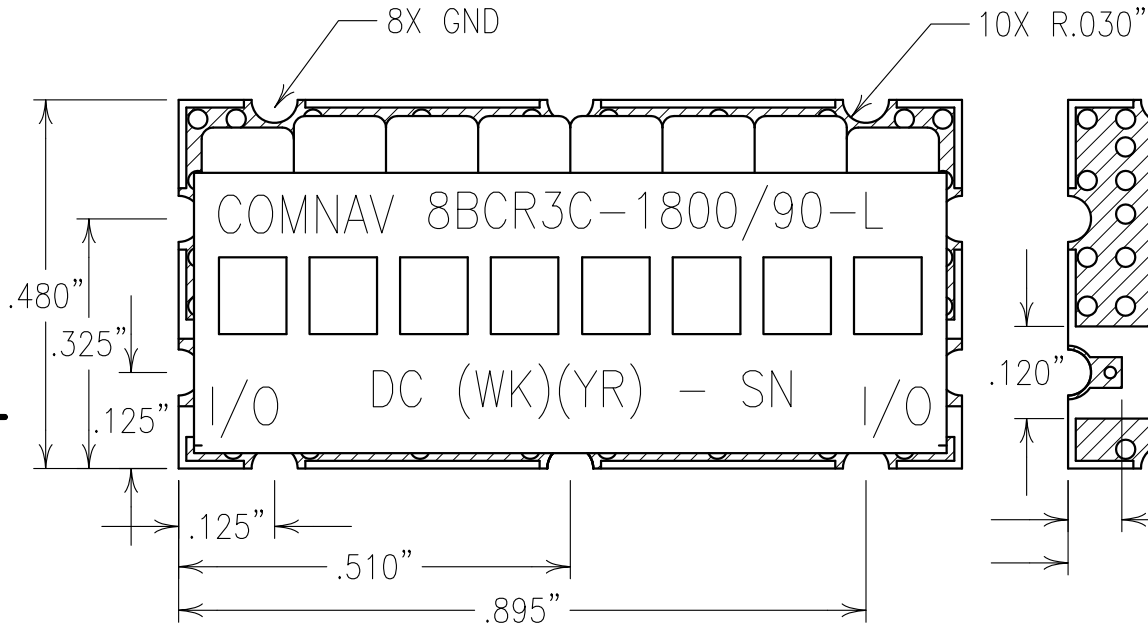
2

1

ELECTRICAL CHARACTERISTICS	
CENTER FREQUENCY:	1800 MHz
3 dB BANDWIDTH:	80 MHz ± 5%
60 dB BANDWIDTH:	200 MHz MAX.
INSERTION LOSS:	3.5 dB MAX @ FO
VSWR:	1.5:1 TYP.



COPY



Confidential and Proprietary information of ComNav Engineering Inc. Do Not Duplicate or Use Without Permission. ComNav Engineering Inc. claims Copyright in this document as of the Creation, last revision, and last updated dates. All Rights Reserved.

NOTES:

RECOMMENDED ATTACHMENT METHOD: SILVER EPOXY OR REFLOW NOT TO EXCEED AS INDICATED BELOW:

TEMP.(°C)	MAX.TIME(SEC)
215	90
230	60
245	30
260	15

FILTER IS ROHS COMPLIANT.
FILTER MAY BE LABELED OR ETCHED.

ENGLISH / METRIC ENGLISH	CHECKED BY				
TOLERANCES UNLESS OTHERWISE SPECIFIED MACHINED SURFACES TO BE 125 / OR BETTER REMOVE ALL BURRS	DRAWN BY PBF				
ENGLISH (INCHES) .XX ±.02 .XXX ±.010 ANGLES ± 0° 30'	ENGINEER KJR	REV II	DATE 29OCT12	BY KJR	DCN No. DEV.
	SCALE 4:1	APPLIC: CERAMIC COAXIAL FILTER			
	DATE 05NOV12	TITLE: 8BCR3C-1800/90-L			
	FINISH: BOARD: NICKEL/GOLD JACKET: NICKEL/SILVER RESONATOR: SILVER	DRAWING No. OL1321		SHEET OF 1 1	

B

A