

2

1

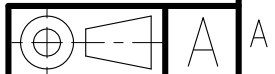
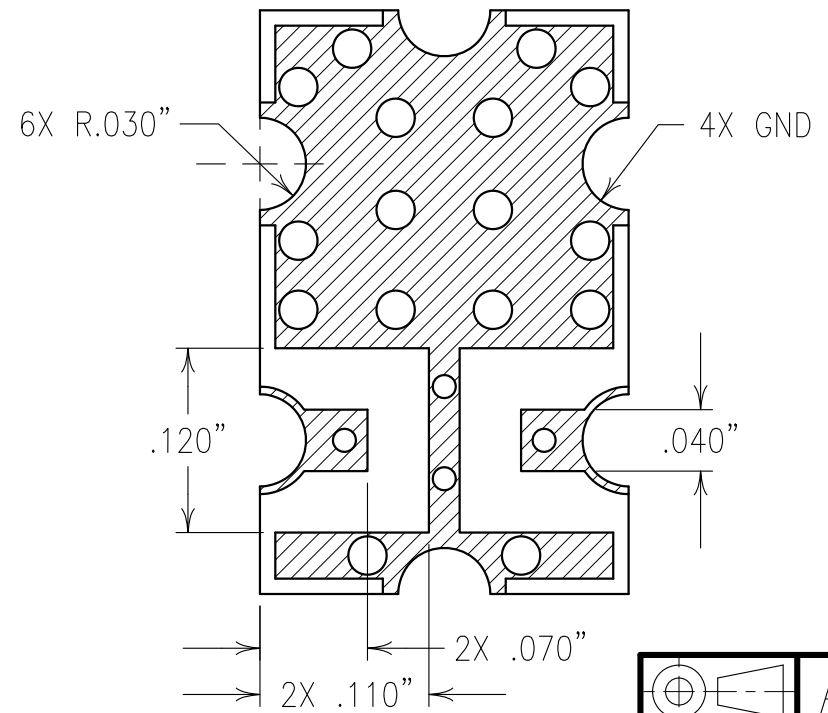
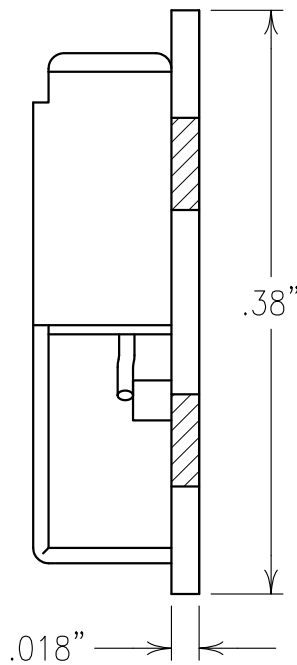
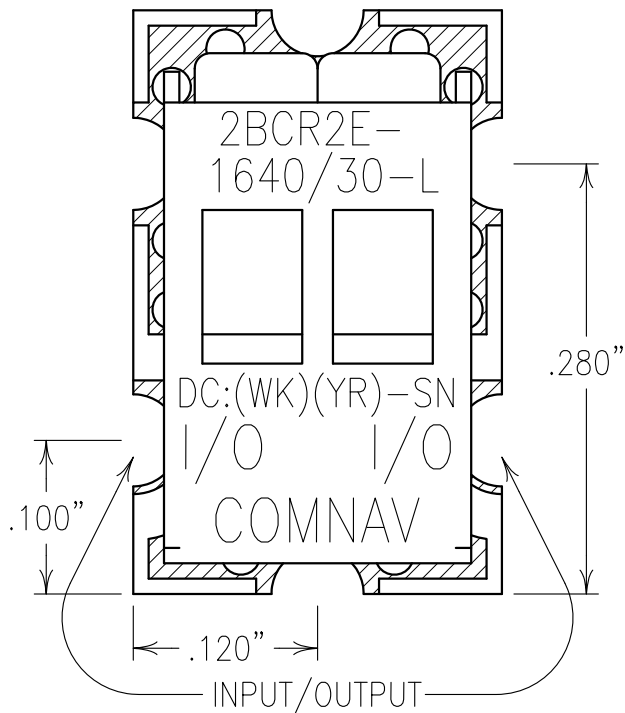
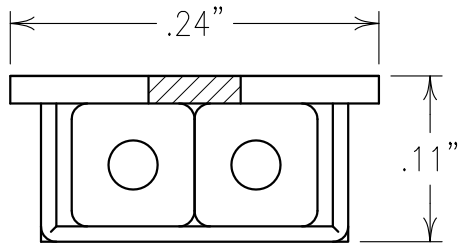
ELECTRICAL CHARACTERISTICS

CENTER FREQUENCY: 1640 MHz NOM
 3 dB BANDWIDTH: 30 MHz NOM
 INSERTION LOSS: 3.5 dB MAX @ FO
 VSWR: TYPICAL TWO POLE SECTION RESPONSE

REJECTION:
 30 dBc @ FO±100 MHz

TEMP. RANGE: -40 TO +85°C
 STORAGE RANGE: -40 TO +85°C

COPY



NOTES: Confidential and Proprietary information of ComNav Engineering Inc. Do Not Duplicate or Use Without Permission. ComNav Engineering Inc. claims Copyright in this document as of the Creation, last revision, and last updated dates. All Rights Reserved.

RECOMMENDED ATTACHMENT METHOD: SILVER EPOXY
 OR REFLOW NOT TO EXCEED TABLE: TEMP.(°C) MAX. TIME(SEC)

FILTER MAY BE LABELED OR ETCHED.	215	90
FILTER IS ROHS COMPLIANT.	230	60
	245	30
	260	15



ENGLISH / METRIC ENGLISH	CHECKED BY				
TOLERANCES UNLESS OTHERWISE SPECIFIED TO BE 125/ OR BETTER REMOVE ALL BURRS	DRAWN BY PBF	II	04SEP12	KJR	DEV.
	ENGINEER KJR	REV	DATE	BY	DCN No.
	SCALE 8:1	APPLIC: CERAMIC COAXIAL FILTER			
ENGLISH (INCHES) .XX ±.02 .XXX ±.010	METRIC (MM) .X ±.25 .XX ±.13	TITLE: 2BCR2E-1640/30-L			SHEET OF 1 1
ANGLES ± 0° 30'	DATE 11SEP12	FINISH: BOARD: NI/GOLD JACKET: NI/SILVER RESONATOR: SILVER		DRAWING No. 0L1317	