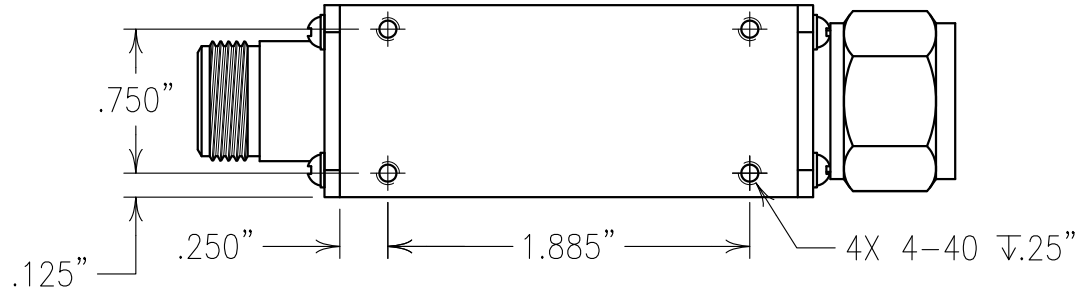


2

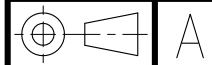
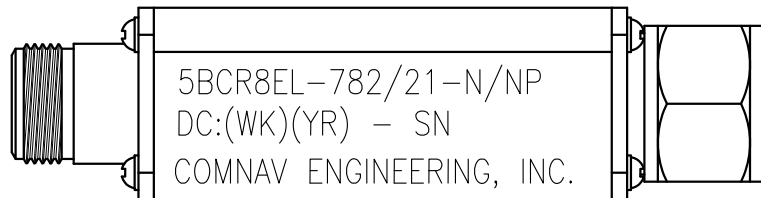
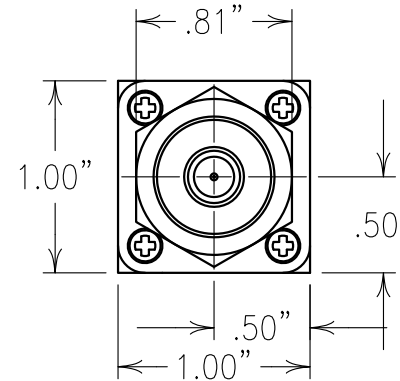
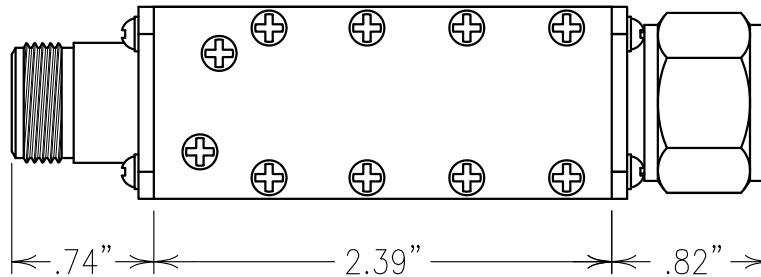
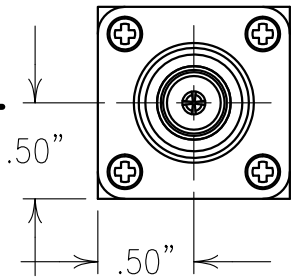
1

ELECTRICAL CHARACTERISTICS

CENTER FREQUENCY: 782 MHz
 3 dB BANDWIDTH: 21 MHz -0%/+10%
 VSWR (IN/OUT): 1.5:1 TYPICAL
 LOSS @ 782 MHz: <2.75 dB
 REJECTION:
 TYPICAL 5 POLE RESPONSE
 40 dB @ 2346 MHz



COPY



Confidential and Proprietary information of ComNav Engineering Inc. Do Not Duplicate or Use Without Permission. ComNav Engineering Inc. claims Copyright in this document as of the Creation, last revision, and last updated dates. All Rights Reserved.

ENGLISH / METRIC ENGLISH	CHECKED BY	C	15MAR13	KJR	DEV.	GEN. REV. PER 3641
TOLERANCES UNLESS OTHERWISE SPECIFIED MACHINED SURFACES TO BE 125/10 OR BETTER REMOVE ALL BURRS	DRAWN BY	B	05MAR13	KJR	DEV.	GEN. REV. PER 3638
	ENGINEER	A	27SEP12	KJR	DEV.	GEN. REV. PER 3595
	REV	DATE	BY	DCN No.	REMARKS	

NOTES:

FILTER MUST BE ETCHED.
 FILTER IS ROHS COMPLIANT.

ENGLISH (INCHES)	METRIC (MM)	SCALE 1:1	APPLIC: CERAMIC COAXIAL FILTER	
.XX ±.02	.X ±.5	DATE 18MAR13	TITLE: 5BCR8EL-782/21-N/NP	SHEET OF 1 1
.XXX ±.010	.XX ±.25	ANGLES ± 0° 30'	MATERIAL: ALUMINUM	DRAWING No. 0L1316
FINISH: SILVER OVER COPPER WITH TARN-BAN MILSPEC QQ-S-365B				

