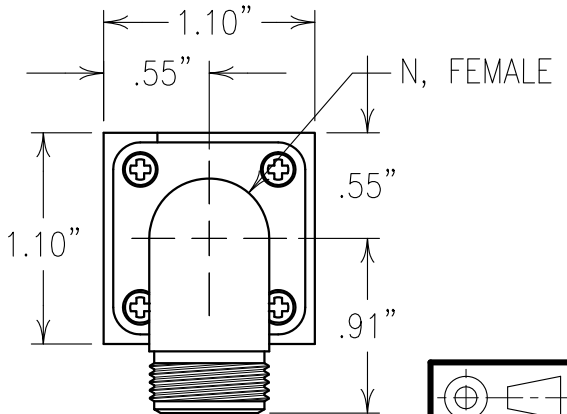
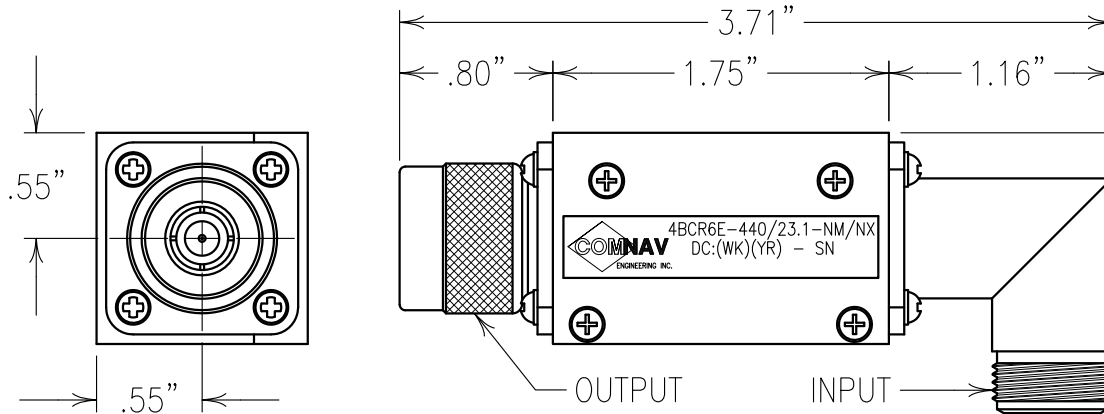
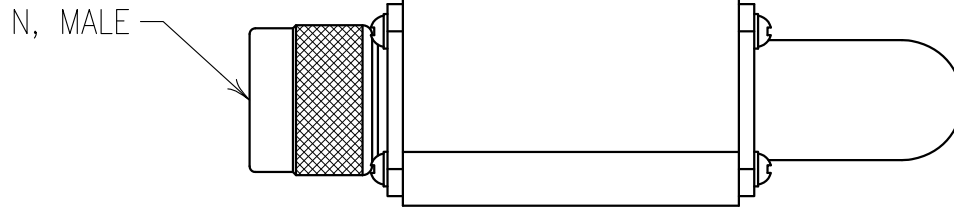
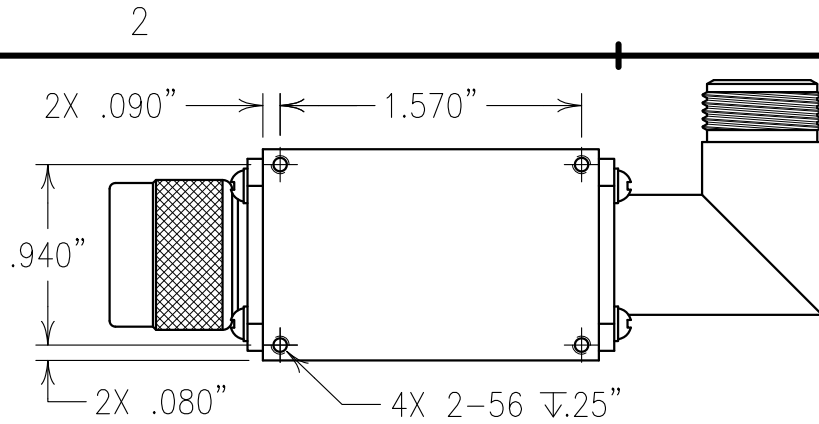


**COPY**



**ELECTRICAL CHARACTERISTICS**

CENTER FREQUENCY: 440 MHz  
 1 dB BANDWIDTH: 20 MHz MIN.  
 INSERTION LOSS: 1.0 dB GOAL/  
 1.5 dB MAX @ F0  
 VSWR: 1.5:1

REJECTION:  
 55 dBc MIN @ DC-390 MHz  
 40 dBc MIN @ 490-1100 MHz  
 OPERATING TEMP.: -40 TO +35°C

ENVIRONMENTAL: SEALED WITH RTV FOR  
 MOISTURE RESISTANCE.

PHASE MATCHED TO A "GOLDEN STANDARD":  
 ±10 DEGREE MAX @ 440 MHz.

4BCR6E-440/23.1-NM/NX  
 COMNAV ENGINEERING INC.  
 DC:(WK)(YR) - SN

Confidential and Proprietary information of ComNav Engineering Inc. Do Not Duplicate or Use Without Permission. ComNav Engineering Inc. claims Copyright in this document as of the Creation, last revision, and last updated dates. All Rights Reserved.

NOTES:

FILTER MAY BE ETCHED OR LABELED.  
 FILTER IS ROHS COMPLIANT.

ENGLISH / METRIC ENGLISH		CHECKED BY					
TOLERANCES UNLESS OTHERWISE SPECIFIED		DRAWN BY					
MACHINED SURFACES TO BE 125 OR BETTER REMOVE ALL BURRS		PBF					
ENGLISH (INCHES)		METRIC (MM)		SCALE	APPLIC: CERAMIC FILTER		
.XX ±.02		.X ±.5		1:1			
.XXX ±.010		.XX ±.25		DATE	TITLE:		SHEET OF
ANGLES ± 0° 30'		12JUL12		4BCR6E-440/23.1-NM/NX		1	1
COMNAV ENGINEERING INC.		MATERIAL: ALUMINUM			DRAWING No.		
		FINISH: SILVER OVER COPPER WITH TARNA-BAN MILSPEC QQ-S-365B			0L1313		