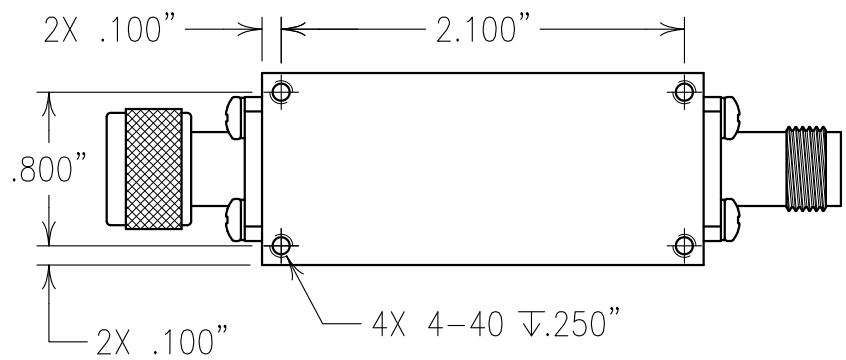


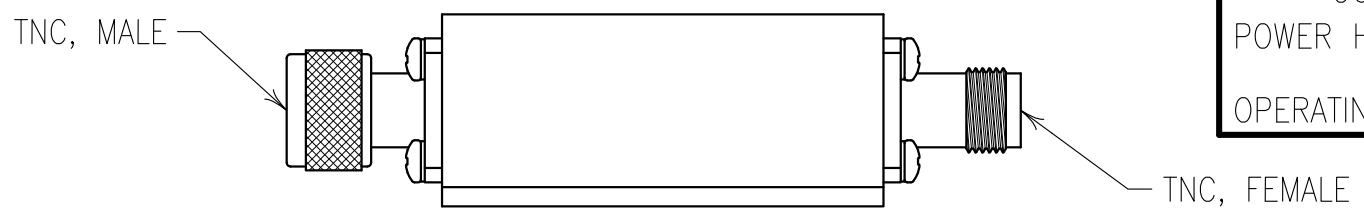
2

1

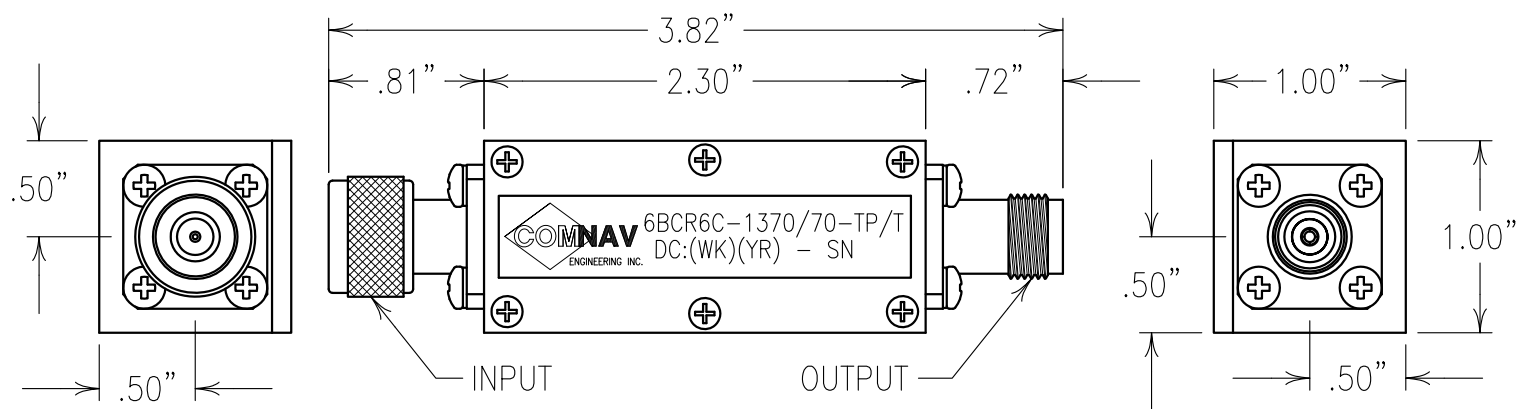


ELECTRICAL CHARACTERISTICS

CENTER FREQUENCY: 1370 MHz
 1 dB BANDWIDTH: 50 MHz MIN.
 INSERTION LOSS: 2.0 dB MAX @ F0
 VSWR: 1.5:1 TYPICAL
 REJECTION:
 30 dBc MIN @ DC-1312 MHz
 30 dBc MIN @ 1434 MHz
 ULTIMATE REJECTION: 60 dBc MIN
 OUT TO 2700 MHz
 POWER HANDLING:
 6 WATTS @ 10% DUTY FACTOR
 OPERATING TEMP.: -40 TO +65°C



COPY



Confidential and Proprietary information of ComNav Engineering Inc. Do Not Duplicate or Use Without Permission. ComNav Engineering Inc. claims Copyright in this document as of the Creation, last revision, and last updated dates. All Rights Reserved.

NOTES:
 FILTER MAY BE ETCHED OR LABELED.
 FILTER IS ROHS COMPLIANT.

ENGLISH / METRIC ENGLISH		CHECKED BY						
TOLERANCES UNLESS OTHERWISE SPECIFIED		DRAWN BY						
MACHINED SURFACES TO BE 125 OR BETTER REMOVE ALL BURRS		PBF		II	14JUN12	MJG	DEV.	INI. ISS. PER 3550
		ENGINEER		REV	DATE	BY	DCN No.	REMARKS
		MJG						
ENGLISH (INCHES)	METRIC (MM)	SCALE	APPLIC: CERAMIC FILTER					
.XX ±.02	.X ±.5	1:1						
.XXX ±.010	.XX ±.25	DATE	TITLE: 6BCR6C-1370/70-TP/T					
ANGLES ± 0° 30'		20JUN12	SHEET OF 1 1					
COMNAV ENGINEERING INC.		MATERIAL: ALUMINUM				DRAWING No.		
		FINISH: SILVER OVER COPPER WITH TARNA-BAN MILSPEC QQ-S-365B				0L1307		