

2

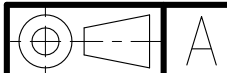
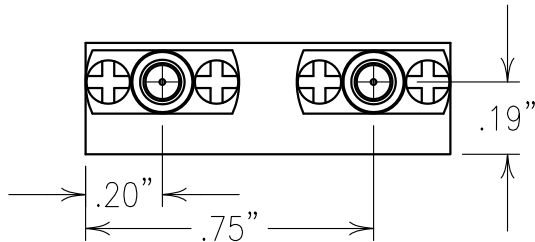
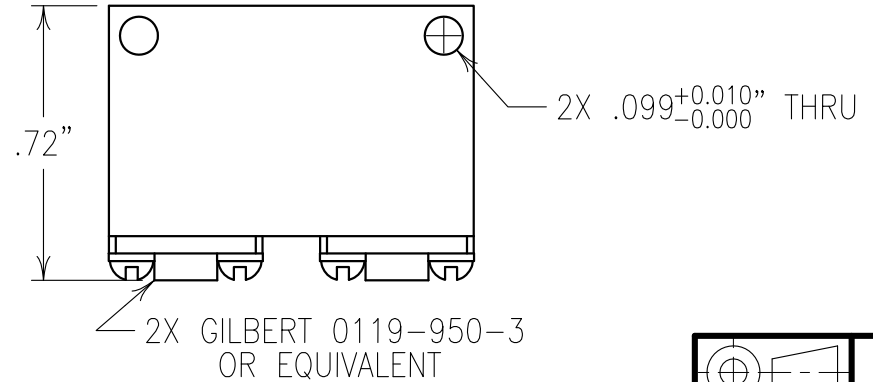
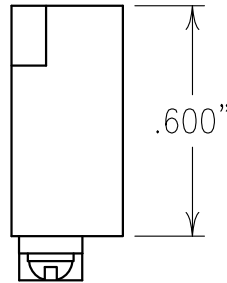
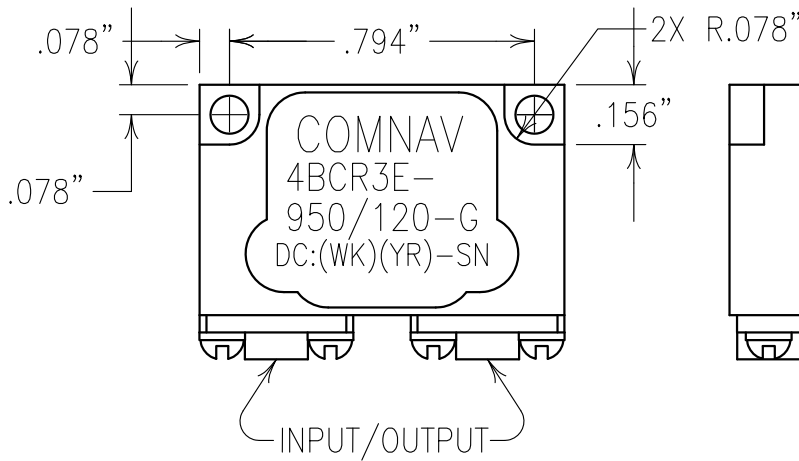
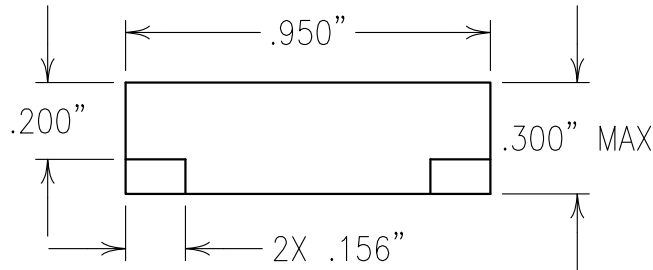
1

DESIGNED TO MEET ALL ENVIRONMENTAL SPECIFICATIONS OF STELLEX MICROWAVE SYSTEMS DRAWING #: 445981 REV.:B.

ELECTRICAL CHARACTERISTICS

CENTER FREQUENCY:	950 MHz
LOSS @ FO:	<2.5 dB
3 dB BANDWIDTH:	120 MHz MIN
LOSS VARIATION:	
910-920, 980-990 MHz:	0.3 dB
ANY 20 MHz 920-980 MHz:	0.2 dB
PHASE LINEARITY:	
ANY 10 MHz 910-990 MHz:	4° MAX
VSWR (910-990 MHz):	1.5:1 MAX
REJECTION:	
880, 1018 MHz:	3 dB MIN
862, 1042 MHz:	10 dB MIN
845, 1065 MHz:	20 dB MIN
300-500 MHz:	40 dB MIN
1700-2000 MHz:	60 dB MIN

COPY



Confidential and Proprietary information of ComNav Engineering Inc. Do Not Duplicate or Use Without Permission. ComNav Engineering Inc. claims Copyright in this document as of the Creation, last revision, and last updated dates. All Rights Reserved.

ENGLISH / METRIC ENGLISH	CHECKED BY						
TOLERANCES UNLESS OTHERWISE SPECIFIED MACHINED SURFACES TO BE 125 / OR BETTER REMOVE ALL BURRS	DRAWN BY PBF						
	ENGINEER KJR	II	18APR12	KJR	DEV.	INI.	ISS. PER 3534
	SCALE 2:1	REV	DATE	BY	DCN No.	REMARKS	
ENGLISH (INCHES) .XX ±.02 .XXX ±.010	METRIC (MM) .X ±.25 .XX ±.13	APPLIC: CERAMIC COAXIAL FILTER		TITLE: 4BCR3E-950/120-G			
ANGLES ± 0° 30'	DATE 02MAY12	FINISH: LID: NICKEL/SILVER BASE: SILVER MATTE OVER COPPER WITH TARNA-BAN MILSPEC QQS-365		DRAWING No. OL1299		SHEET OF 1 1	

NOTES:

FILTER MAY BE LABELED OR ETCHED. FILTER IS ROHS COMPLIANT.

