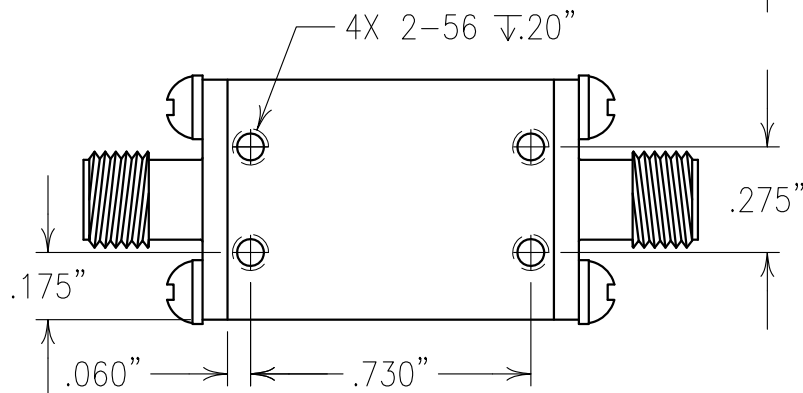
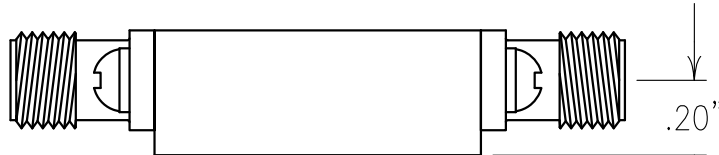
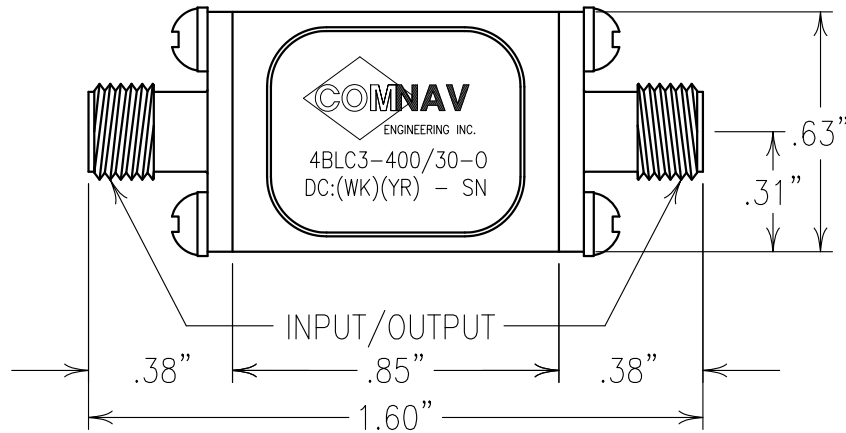


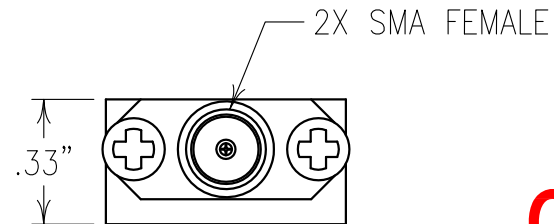
2

1

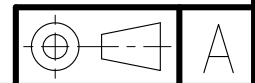


ELECTRICAL CHARACTERISTICS

CENTER FREQUENCY: 400 MHz NOM  
 3 dB BANDWIDTH: 30 MHz MIN  
 INSERTION LOSS: 3.0 dB MAX @  $F_c \pm 10$  MHz  
 AMPLITUDE FLATNESS: 0.8 dB MAX @  $F_c \pm 10$  MHz  
 GROUP DELAY: 8.0 nSEC MAX PARABOLIC/  
 1.0 nSEC MAX LINEAR @  $F_o \pm 10$  MHz  
 PASSBAND VSWR: 2.0:1 MAX IN/OUT  
 REJECTION: 83 dBc MIN @ 250-270 MHz



**COPY**



Confidential and Proprietary information of ComNav Engineering Inc. Do Not Duplicate or Use Without Permission. ComNav Engineering Inc. claims Copyright in this document as of the Creation, last revision, and last updated dates. All Rights Reserved.

ENGLISH / METRIC CHECKED BY ENGLISH						
TOLERANCES UNLESS OTHERWISE SPECIFIED MACHINED SURFACES TO BE 125 / OR BETTER REMOVE ALL BURRS	DRAWN BY	A	02JUL12	KJR	DEV.	GEN. REV. PER 3554
	ENGINEER	II	17APR12	KJR	DEV.	INI. ISS. PER 3533
ENGLISH (INCHES)	METRIC (MM)	SCALE	APPLIC:	REMARKS		
.XX ±.02 .XXX ±.01	.X ±.2 .XX ±.13	2:1	CHIP AND WIRE FILTER			
ANGLES ± 0° 30'	DATE	TITLE:	SHEET OF			
	02JUL12	4BLC3-400/30-0	1 1			

NOTES:

FILTER MAY BE ETCHED OR LABELED.  
 FILTER IS ROHS COMPLIANT.



MATERIAL: ALUMINUM  
 FINISH: SILVER

DRAWING No.  
 0L1298