

2

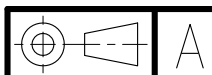
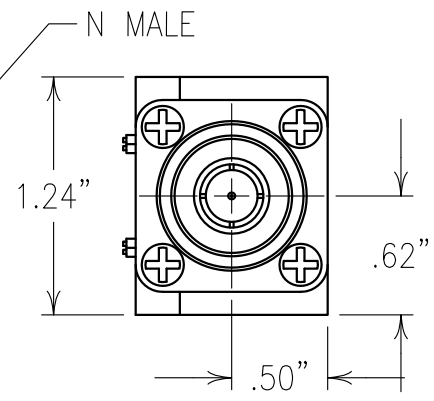
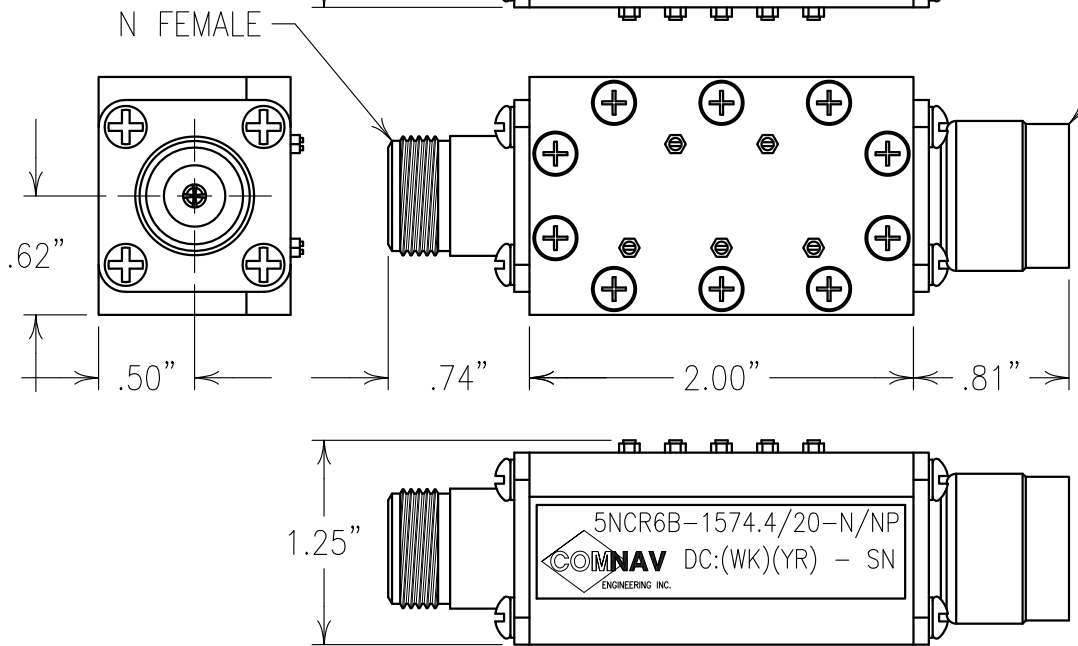
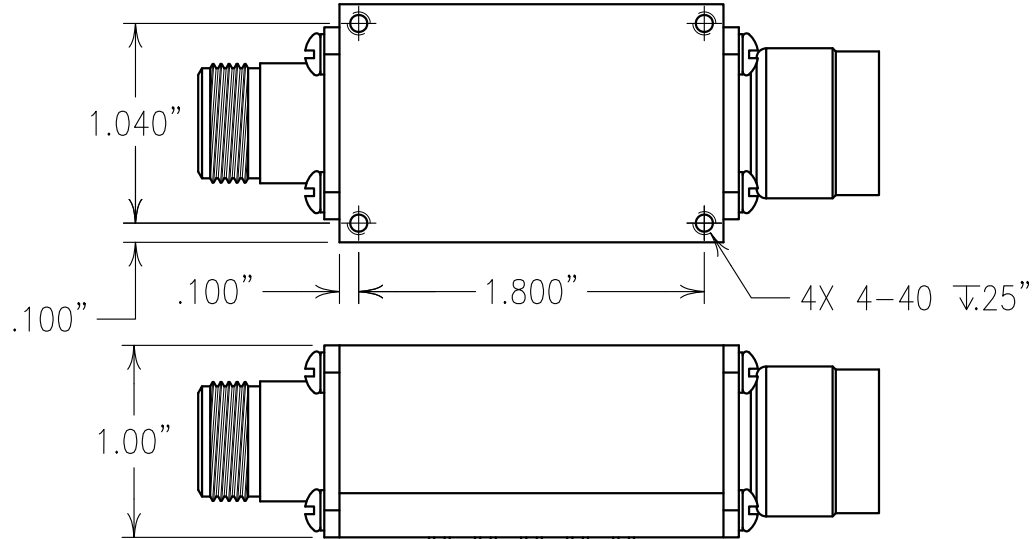
1

ELECTRICAL CHARACTERISTICS

CENTER FREQUENCY: 1574.4 MHz
 3 dB BANDWIDTH: 20 MHz NOM
 PASSBANDS: DC-1564, 1584-2700 MHz
 60 dB ATTEN. FO±0.5 MHz
 VSWR: 2:1 TYPICAL
 PASSBAND LOSS:
 3.75 dB @ DC-1564 MHz
 6.0 dB @ 1584-2700 MHz
 OPERATING TEMP.: -40 TO +85°C
 POWER HANDLING: 6 WATT MIN, 25 WATT GOAL

B

COPY



Confidential and Proprietary information of ComNav Engineering Inc. Do Not Duplicate or Use Without Permission. ComNav Engineering Inc. claims Copyright in this document as of the Creation, last revision, and last updated dates. All Rights Reserved.

ENGLISH / METRIC ENGLISH	CHECKED BY				
TOLERANCES UNLESS OTHERWISE SPECIFIED MACHINED SURFACES TO BE 125/10 OR BETTER REMOVE ALL BURRS	DRAWN BY PBF				
	ENGINEER MJG	II	03APR12	MJG	DEV. INI. ISS. PER 3523
	REV	DATE	BY	DCN No.	REMARKS

A

NOTES:

FILTER MAY BE ETCHED OR LABELED.
 FILTER IS ROHS COMPLIANT.

ENGLISH (INCHES) .XX ±.02 .XXX ±.010	METRIC (MM) .X ±.5 .XX ±.25	SCALE 1:1	APPLIC: CERAMIC COAXIAL FILTER
ANGLES ± 0° 30'	DATE 11APR12	TITLE: 5NCR6B-1574.4/20-N/NP	SHEET OF 1 1

MATERIAL: ALUMINUM	DRAWING No.
FINISH: SILVER OVER COPPER WITH TARN-BAN MILSPEC QQ-S-365B	0L1293