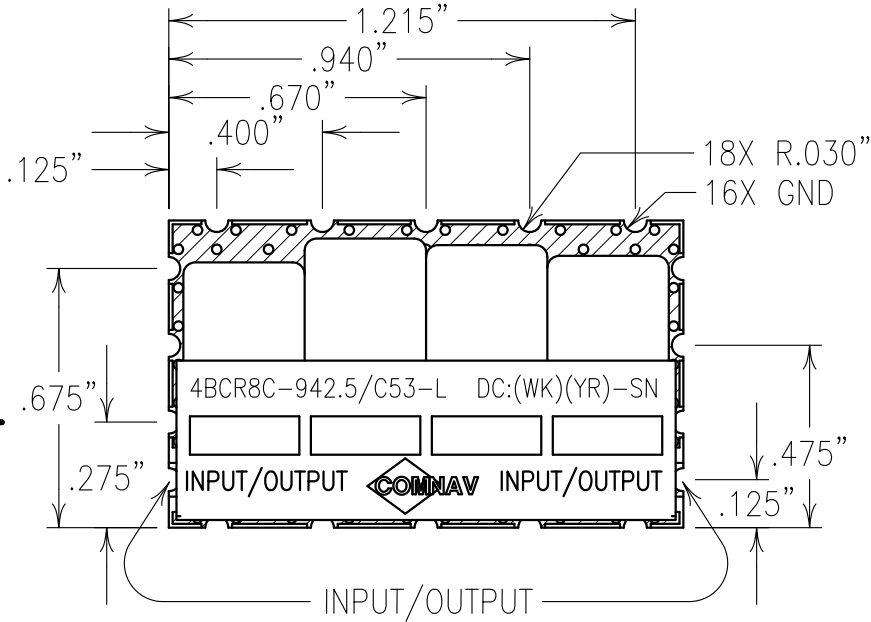
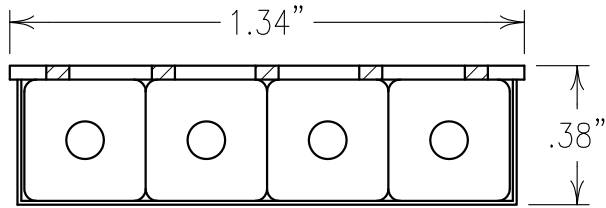
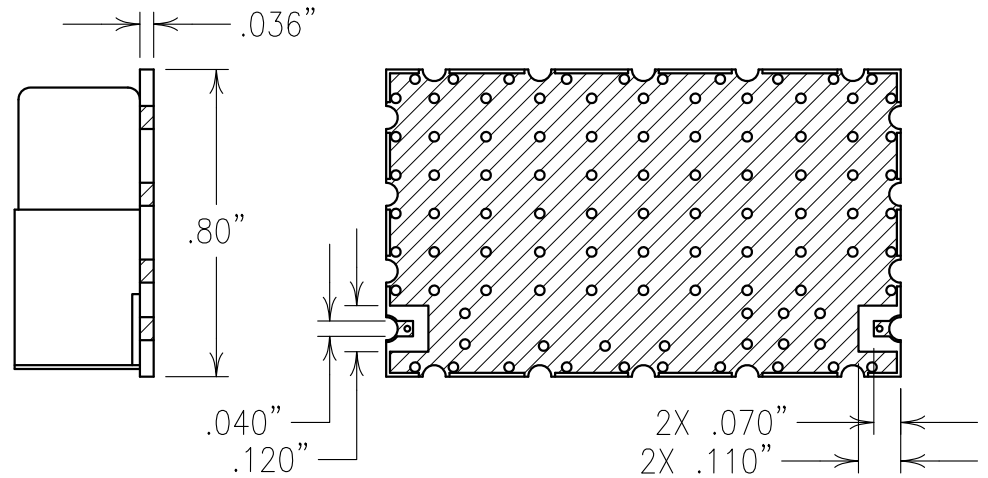


2

1

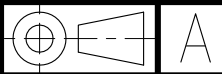


**COPY**



ELECTRICAL CHARACTERISTICS	
CENTER FREQUENCY:	942.5 MHz
PASSBAND BANDWIDTH:	53 MHz NOM
PASSBAND:	925-960 MHz
PB INSERTION LOSS:	1.50 dB GOAL/ 1.75 dB MAX
PASSBAND VSWR:	18 dB MIN
REJECTION:	25 dBc MIN @ 880-915 MHz
POWER HANDLING:	5 WATTS AVE.
OPERATING TEMP.:	-40° TO +85°C

Confidential and Proprietary information of ComNav Engineering Inc. Do Not Duplicate or Use Without Permission. ComNav Engineering Inc. claims Copyright in this document as of the Creation, last revision, and last updated dates. All Rights Reserved.



**NOTES:**

RECOMMENDED ATTACHMENT METHOD: SILVER EPOXY OR REFLOW NOT TO EXCEED AS INDICATED BELOW:

TEMP.(°C)	MAX. TIME(SEC)	
215	90	FILTER MAY BE LABELED OR ETCHED.
230	60	FILTER IS ROHS COMPLIANT.
245	30	
260	15	

FILTER IS ROHS COMPLIANT.  
FILTER MAY BE LABELED OR ETCHED.

ENGLISH / METRIC ENGLISH	CHECKED BY				
TOLERANCES UNLESS OTHERWISE SPECIFIED MACHINED SURFACES TO BE 125/ OR BETTER REMOVE ALL BURRS	DRAWN BY PBF	II	15FEB12	KJR	DEV. INI. ISS. PER 3504
ENGLISH (INCHES) .XX ±.02 .XXX ±.010	METRIC (MM) .X ±.5 .XX ±.25	ENGINEER KJR	REV	DATE	BY DCN No. REMARKS
ANGLES ± 0° 30'	SCALE 2:1	DATE 20FEB12	APPLIC: CERAMIC COAXIAL FILTER		
	FINISH: BOARD: NICKEL/GOLD JACKET: NICKEL/SILVER RESONATOR: SILVER	TITLE: 4BCR8C-942.5/C53-L			DRAWING No. 0L1291
					SHEET OF 1 1