

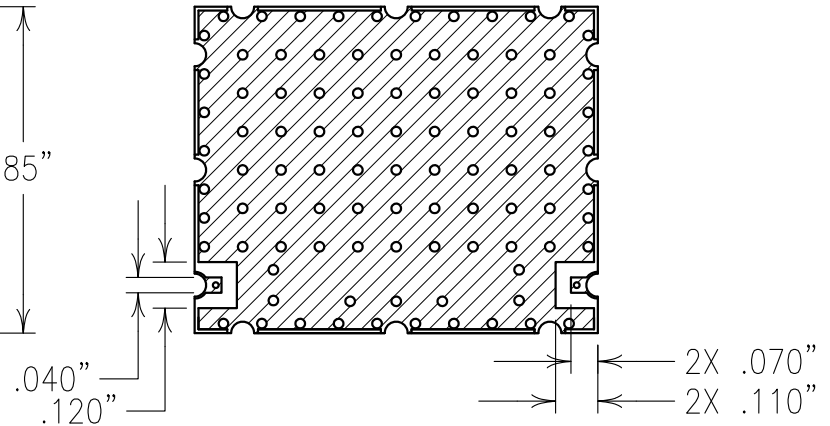
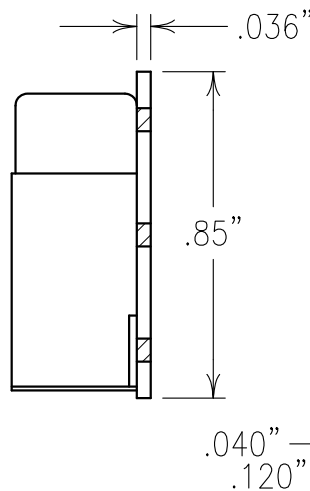
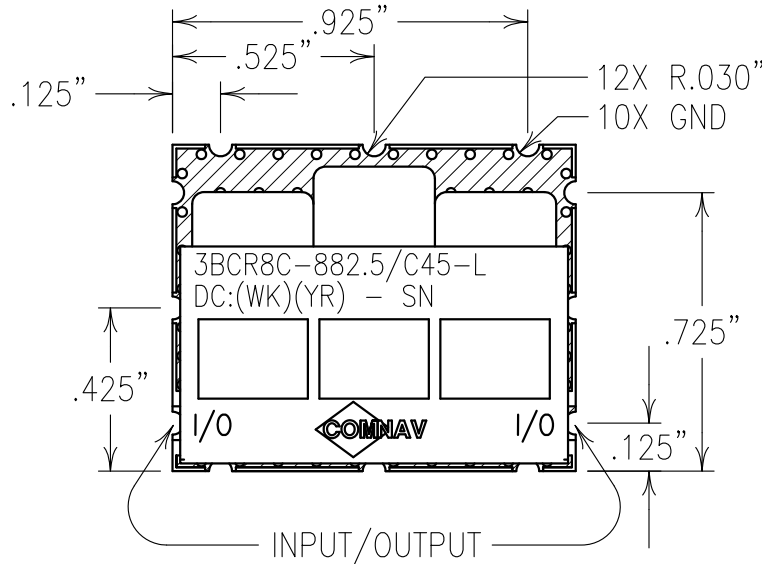
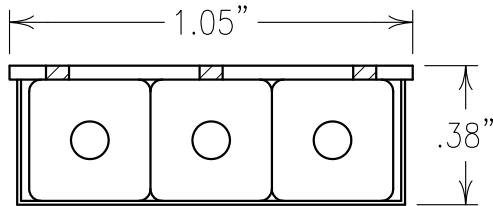
2

1

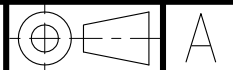
ELECTRICAL CHARACTERISTICS

CENTER FREQUENCY: 882.5 MHz
 PASSBAND BANDWIDTH: 45 MHz NOM
 PASSBAND: 869-894 MHz
 PB INSERTION LOSS: 1.0 dB GOAL/
 1.25 dB MAX
 PASSBAND VSWR: 18 dB MIN
 REJECTION:
 25 dBc MIN @ 824-849 MHz
 POWER HANDLING: 5 WATTS AVE.
 OPERATING TEMP.: -40° TO +85°C

COPY



Confidential and Proprietary information of ComNav Engineering Inc. Do Not Duplicate or Use Without Permission. ComNav Engineering Inc. claims Copyright in this document as of the Creation, last revision, and last updated dates. All Rights Reserved.



NOTES:

RECOMMENDED ATTACHMENT METHOD: SILVER EPOXY OR REFLOW NOT TO EXCEED AS INDICATED BELOW:

TEMP.(°C)	MAX. TIME(SEC)	
215	90	FILTER MAY BE LABELED OR ETCHED.
230	60	FILTER IS ROHS COMPLIANT.
245	30	
260	15	

FILTER IS ROHS COMPLIANT.
 FILTER MAY BE LABELED OR ETCHED.

ENGLISH / METRIC ENGLISH	CHECKED BY				
TOLERANCES UNLESS OTHERWISE SPECIFIED MACHINED SURFACES TO BE 125/100 OR BETTER REMOVE ALL BURRS	DRAWN BY PBF	II	15FEB12	KJR	DEV. INI. ISS. PER 3504
	ENGINEER KJR	REV	DATE	BY	DCN No. REMARKS
ENGLISH (INCHES) .XX ±.02 .XXX ±.010	METRIC (MM) .X ±.5 .XX ±.25	SCALE 2:1	APPLIC: CERAMIC COAXIAL FILTER		
ANGLES ± 0° 30'	DATE 20FEB12	TITLE: 3BCR8C-882.5/C45-L			
	FINISH: BOARD: NICKEL/GOLD JACKET: NICKEL/SILVER RESONATOR: SILVER	DRAWING No. OL1290	SHEET OF 1 1		