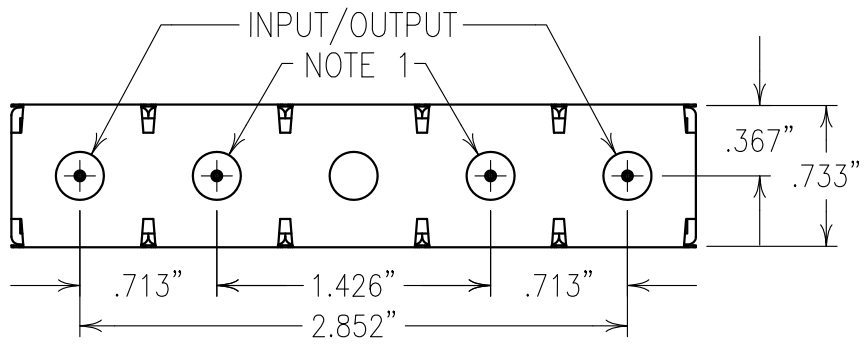
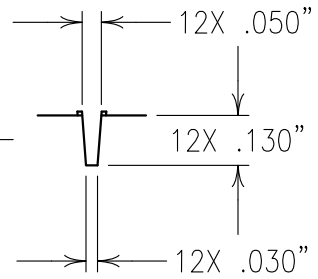
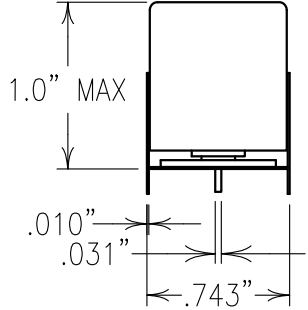
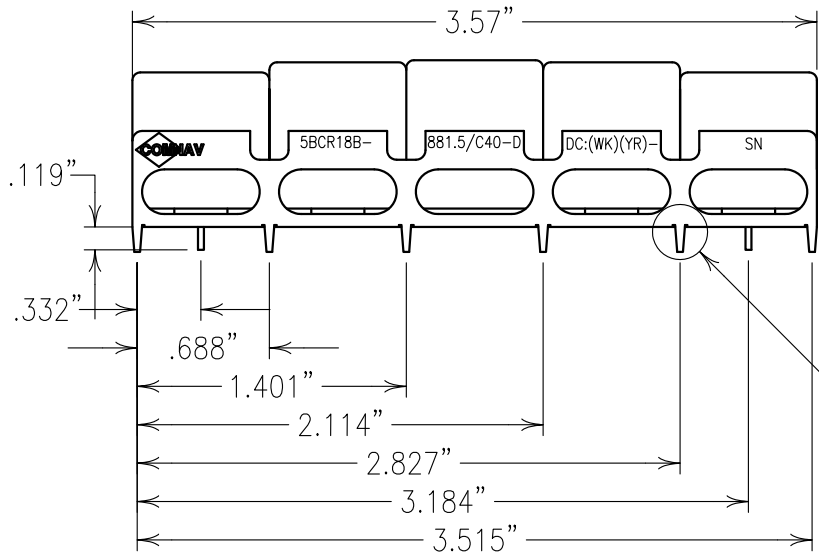


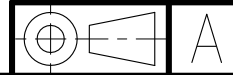
2

1



ELECTRICAL CHARACTERISTICS	
CENTER FREQUENCY:	881.5 MHz
PASSBAND BANDWIDTH:	40 MHz NOM
PASSBAND:	869-894 MHz
PB INSERTION LOSS:	0.95 dB GOAL/ 1.15 dB MAX
PASSBAND VSWR:	18 dB MIN
REJECTION:	45 dBc MIN @ 824-849 MHz
POWER HANDLING:	32 WATTS AVE., 200 WATTS PEAK
OPERATING TEMP.:	-40° TO +85°C

COPY



Confidential and Proprietary information of ComNav Engineering Inc. Do Not Duplicate or Use Without Permission. ComNav Engineering Inc. claims Copyright in this document as of the Creation, last revision, and last updated dates. All Rights Reserved.

NOTES:
 1) HIGH IMPEDANCE POINTS: THERE MUST BE A MINIMUM 0.050" OF AIR SPACE BETWEEN GROUND AND HIGH IMPEDANCE POINTS. THIS MAY BE ACCOMPLISHED BY RAISING THE FILTER OR DRILLING OUT THE BOARD.
 HAND OR WAVE SOLDERING.
 MAX REFLOW TEMP. 240°C FOR 30 SEC., OR 260°C FOR 15 SEC.
 FILTER IS ROHS COMPLIANT.
 FILTER MAY BE LABELED OR ETCHED.

ENGLISH / METRIC ENGLISH	CHECKED BY				
TOLERANCES UNLESS OTHERWISE SPECIFIED MACHINED SURFACES TO BE 125/ OR BETTER REMOVE ALL BURRS	DRAWN BY PBF	II	15FEB12	KJR	DEV. INI. ISS. PER 3504
	ENGINEER KJR	REV	DATE	BY	DCN No. REMARKS
ENGLISH (INCHES) .XX ±.02 .XXX ±.010	METRIC (MM) .X ±.5 .XX ±.25	SCALE 1:1	APPLIC: CERAMIC COAXIAL FILTER		
ANGLES ± 0° 30'	DATE 21FEB12	TITLE: 5BCR18B-881.5/C40-D			
	FINISH: JACKET: NICKEL/SILVER RESONATOR: SILVER	DRAWING No. 0L1287		SHEET OF 1 1	