

2

1

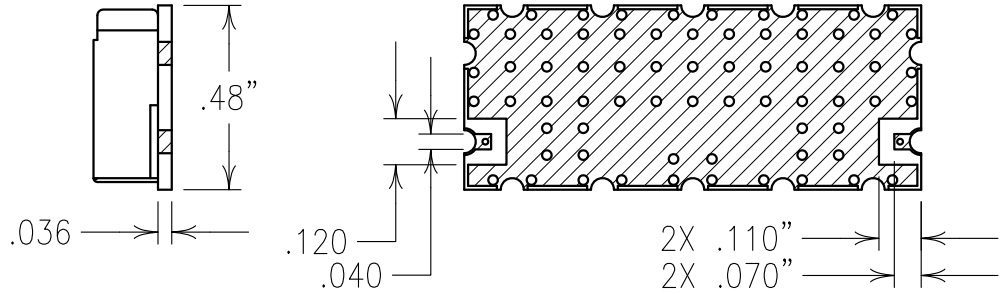
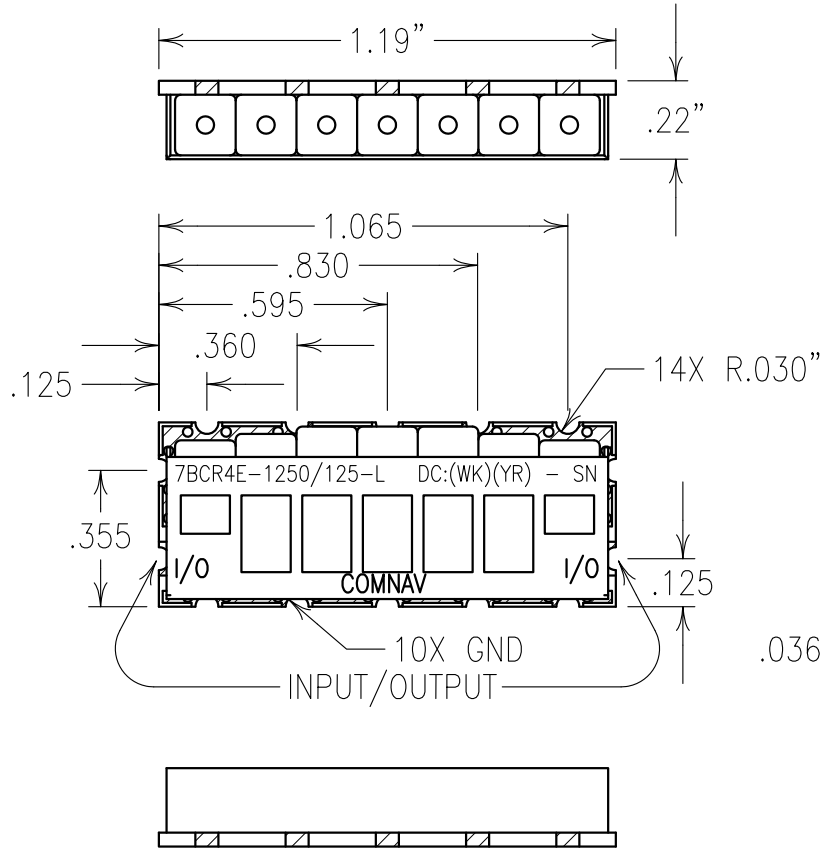
### ELECTRICAL CHARACTERISTICS

CENTER FREQUENCY: 1250 MHz NOM  
 1 dB BANDWIDTH: 100 MHz MIN  
 INSERTION LOSS: 1.6 dB MAX @ F0  
 VSWR: 1.7:1 MAX AT 1205-1295 MHz

REJECTION:  
 60 dBc MIN AT 25°C @ 1100 MHz  
 60 dBc MIN AT 25°C @ 1400 MHz  
 54 dBc MIN AT HOT @ 1100 MHz  
 54 dBc MIN AT HOT @ 1400 MHz

IMPEDANCE: 50 OHMS IN/OUT  
 TEMP. (OPERATING): -25 TO +85°C  
 TEMP. (STORAGE): -40 TO +125°C

# COPY



NOTES:  
 RECOMMENDED ATTACHMENT METHOD:  
 SILVER EPOXY OR REFLOW NOT TO EXCEED AS INDICATED BELOW:

TEMP.(°C)	MAX.TIME(SEC)
215	90
230	60
245	30
260	15

FILTER IS ROHS COMPLIANT.  
 FILTER MAY BE LABELED OR ETCHED.

Confidential and Proprietary information of ComNav Engineering Inc. Do Not Duplicate or Use Without Permission. ComNav Engineering Inc. claims Copyright in this document as of the Creation, last revision, and last updated dates. All Rights Reserved.

ENGLISH / METRIC ENGLISH	CHECKED BY					
TOLERANCES UNLESS OTHERWISE SPECIFIED	DRAWN BY	A	02FEB16	KJR	DEV.	GEN. REV. PER 3993
MACHINED SURFACES TO BE 125 / OR BETTER	ENGINEER	II	19JAN12	KJR	DEV.	INI. ISS. PER 3491
REMOVE ALL BURRS	KJR	REV	DATE	BY	DCN No.	REMARKS

ENGLISH (INCHES)	METRIC (MM)	SCALE 2:1	APPLIC: COAXIAL FILTER
.XX ±.02	.X ±.25	DATE 23JAN12	TITLE: 7BCR4E-1250/125-L
XXX ±.010	XX ±.13		
ANGLES ± 0° 30'			

	FINISH: BOARD: NI/AU PLATED COPPER	DRAWING No.	SHEET OF 1 1
	JACKET: NI/SILVER	OL1279	
	RESONATOR: SILVER		