

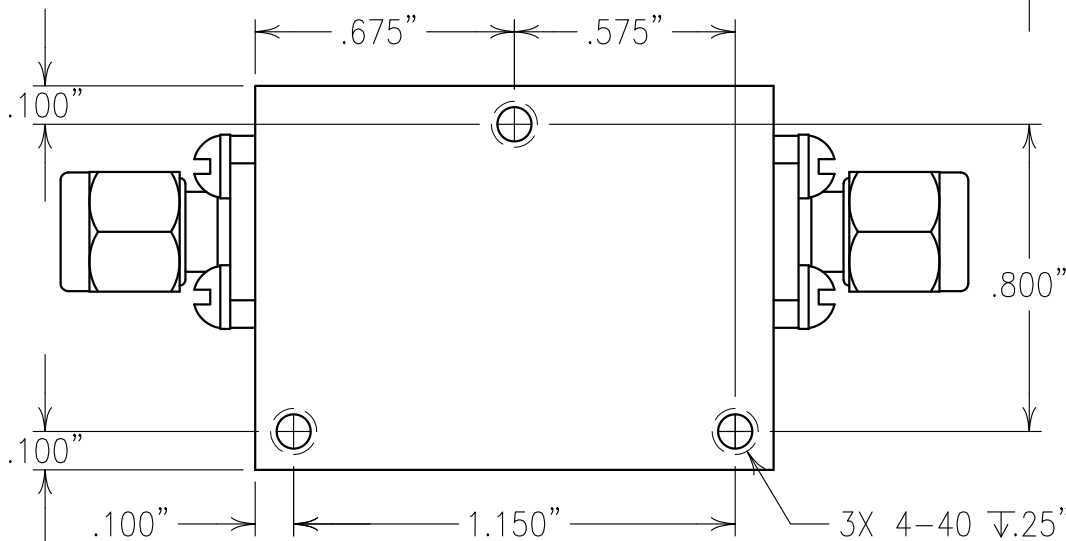
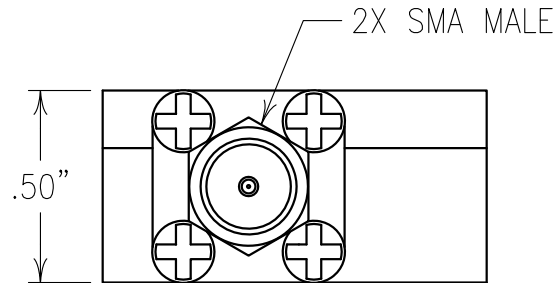
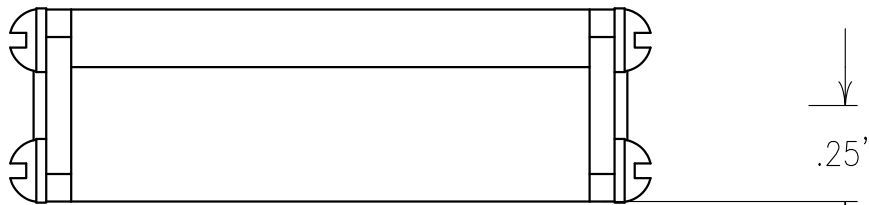
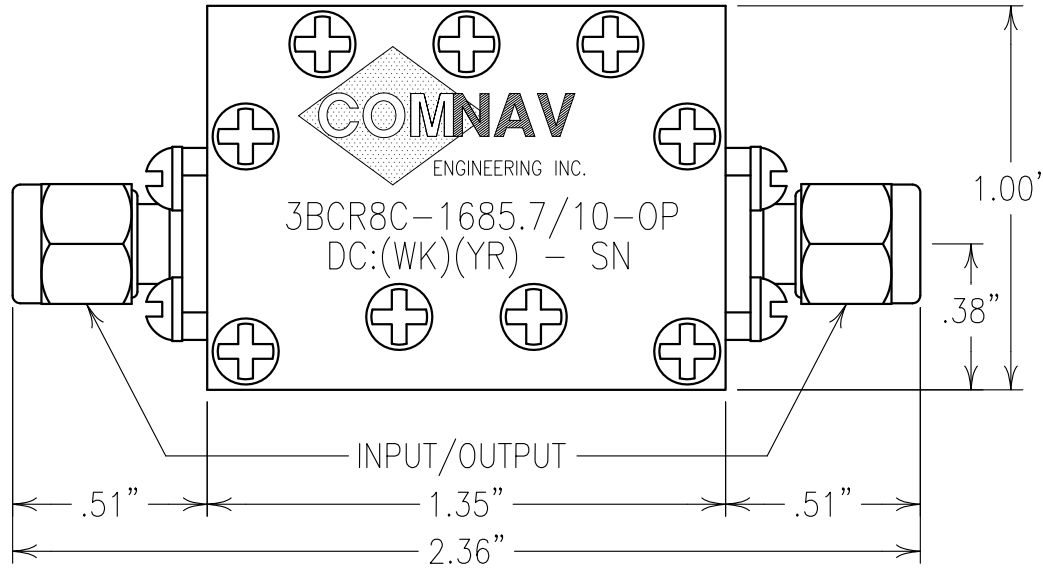
2

1

ELECTRICAL CHARACTERISTICS

CENTER FREQUENCY: 1685.7 MHz NOM
 3 dB BANDWIDTH: 10.0 MHz MIN
 INSERTION LOSS: 3.25 dB MAX @ FO
 VSWR: 1.5:1 TYPICAL
 REJECTION:
 20 dBc MIN @ 1710 MHz
 60 dBc MIN @ 2025 MHz

COPY



NOTES:

Confidential and Proprietary information of ComNav Engineering Inc. Do Not Duplicate or Use Without Permission. ComNav Engineering Inc. claims Copyright in this document as of the Creation, last revision, and last updated dates. All Rights Reserved.

ENGLISH / METRIC CHECKED BY									
ENGLISH		DRAWN BY		PBF					
TOLERANCES UNLESS OTHERWISE SPECIFIED TO BE 125/ OR BETTER REMOVE ALL BURRS		ENGINEER		M/JG		REV		DATE	
		M/JG		01DEC11		M/JG		DEV.	
								INI. ISS. PER 3474	
								REMARKS	
ENGLISH (INCHES)		METRIC (MM)		SCALE		APPLIC: CERAMIC FILTER			
.XX ±.02 .XXX ±.01		.X ±.2 .XX ±.13		2:1					
ANGLES ± 0° 30'		DATE		19DEC11		TITLE:		3BCR8C-1685.7/10-OP	
								SHEET OF 1 1	

COMNAV ENGINEERING INC. MATERIAL: ALUMINUM FINISH: SILVER DRAWING No. 01272