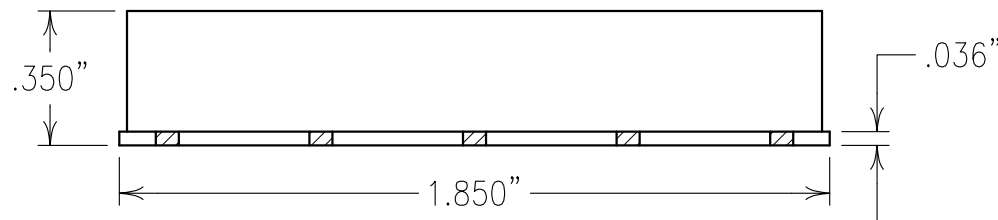
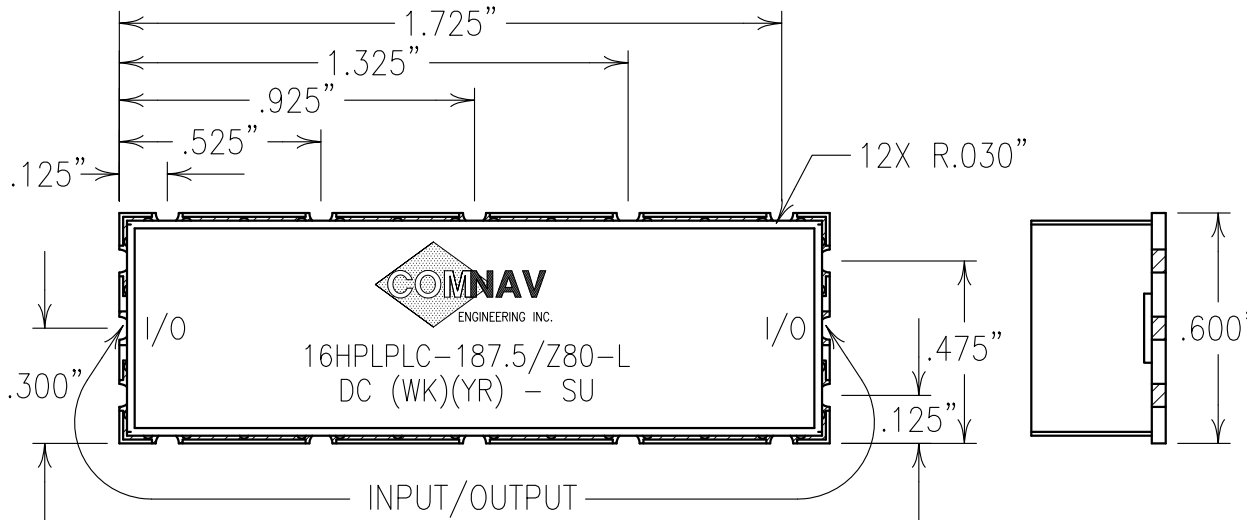
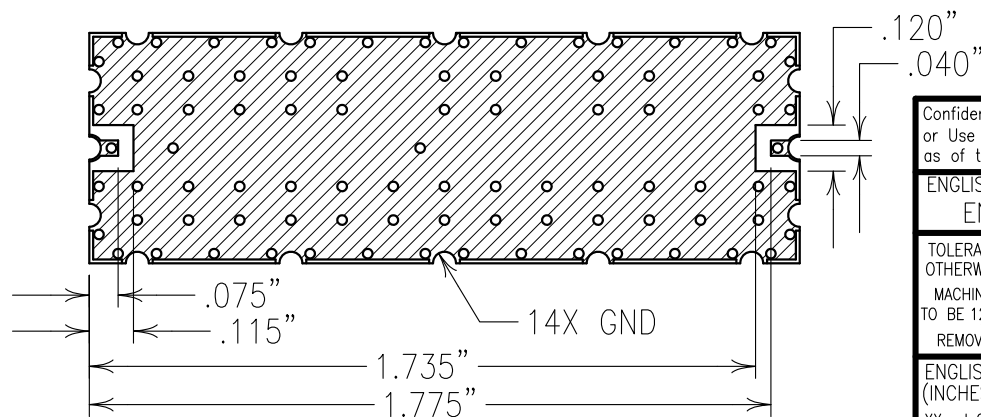


2

1



COPY



ELECTRICAL CHARACTERISTICS

CENTER FREQUENCY: 187.5 MHz NOM
 1 dB BANDWIDTH: 65 MHz MIN
 INSERTION LOSS @ FO: 3.0 dB MAX
 RETURN LOSS @ BW: 15dB MIN @ 1dB BW
 ATTENUATION:
 50 dBc MIN @ DC TO 125 MHz
 37 dBc MIN @ 250-3000 MHz
 I/O IMPEDANCE: 50 OHMS
 PASSBAND GROUP DELAY TRACKING:
 ±1.5 nSEC IN SETS OF 5
 TEMP. RANGE: -40 TO +85°C

NOTES:

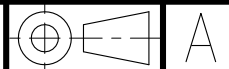
NO TIN PLATING UNDER SOLDER MASK.
 FILTERS IN MATCHED SETS ARE LABELED:
 SET SERIAL NUMBER (S) AND SET UNIT (U).
 U IS A LETTER A-E.

RECOMMENDED ATTACHMENT METHOD:
 SILVER EPOXY OR REFLOW NOT TO
 EXCEED AS INDICATED BELOW:

TEMP.(°C)	MAX.TIME(SEC)
215	90
230	60
245	30
260	15

FILTER IS ROHS COMPLIANT.

Confidential and Proprietary information of ComNav Engineering Inc. Do Not Duplicate or Use Without Permission. ComNav Engineering Inc. claims Copyright in this document as of the Creation, last revision, and last updated dates. All Rights Reserved.



ENGLISH / METRIC	CHECKED BY					
ENGLISH						
TOLERANCES UNLESS OTHERWISE SPECIFIED	DRAWN BY	A	30NOV11	KJR	DEV.	GEN. REV. PER 3472
MACHINED SURFACES TO BE 125 / OR BETTER	ENGINEER	II	07NOV11	KJR	DEV.	INI. ISS. PER 3460
REMOVE ALL BURRS	KJR	REV	DATE	BY	DCN No.	REMARKS

ENGLISH (INCHES)	METRIC (MM)	SCALE	APPLIC:
.XX ±.02	.X ±.25	2:1	LC FILTER
.XXX ±.010	.XX ±.13	DATE	TITLE:
ANGLES ± 0° 30'		30NOV11	16HPLPLC-187.5/Z80-L

FINISH: BOARD: NI/AU PLATED COPPER
 JACKET: NI/SILVER
 RESONATOR: SILVER

DRAWING No. **OL1270**

SHEET OF **1 1**