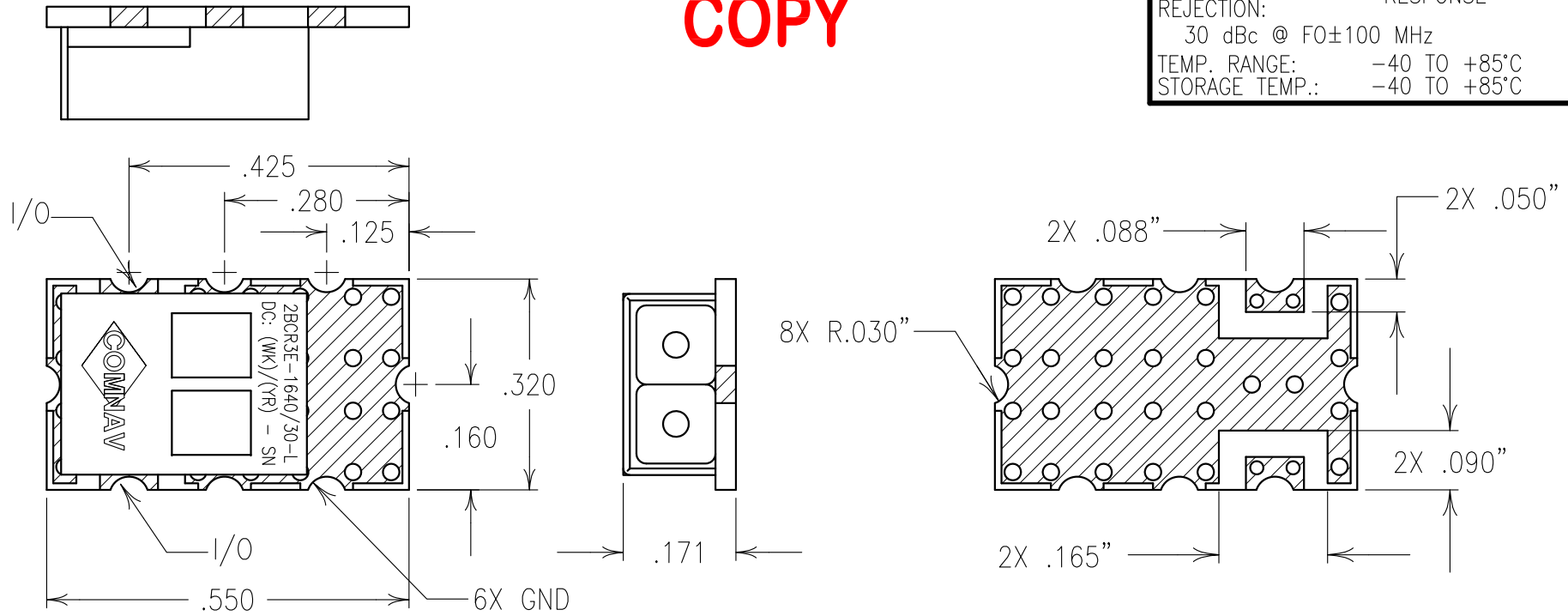


2

1

COPY

ELECTRICAL CHARACTERISTICS	
CENTER FREQUENCY:	1640 MHz NOM
3dB BANDWIDTH:	30 MHz NOM.
INSERTION LOSS:	3.0 dB MAX@ FO
VSWR:	TYPICAL TWO SECTION RESPONSE
REJECTION:	30 dBc @ FO±100 MHz
TEMP. RANGE:	-40 TO +85°C
STORAGE TEMP.:	-40 TO +85°C



NOTES:  
 FOR RECOMMENDED FOOTPRINT SEE FP0015.  
 RECOMMENDED ATTACHMENT METHOD: SILVER EPOXY  
 OR REFLOW NOT TO EXCEED AS INDICATED BELOW:  
 TEMP.(°C) MAX.TIME(SEC)

215	90
230	60
245	30
260	15

Confidential and Proprietary information of ComNav Engineering Inc. Do Not Duplicate or Use Without Permission. ComNav Engineering Inc. claims Copyright in this document as of the Creation, last revision, and last updated dates. All Rights Reserved.							
ENGLISH / METRIC ENGLISH	CHECKED BY						
TOLERANCES UNLESS OTHERWISE SPECIFIED	DRAWN BY	A	08NOV11	KJR	DEV.	GEN. REV. PER 3461	
MACHINED SURFACES TO BE 125 / OR BETTER	ENGINEER	II	25OCT11	KJR	DEV.	INI. ISS. PER 3455	
REMOVE ALL BURRS	KJR	REV	DATE	BY	DCN No.	REMARKS	
ENGLISH (INCHES)	METRIC (MM)	SCALE	APPLIC: CERAMIC COAXIAL FILTER				
.XX ±.02	.X ±.50	4:1	TITLE: 2BCR3E-1640/30-L				
.XXX ±.010	.XX ±.25	DATE	08NOV11				
ANGLES ± 0° 30'							
						FINISH: BOARD: NICKEL/GOLD JACKET: NICKEL/SILVER RESONATOR: SILVER	
						DRAWING No. OL1249	
						SHEET OF 1 1	