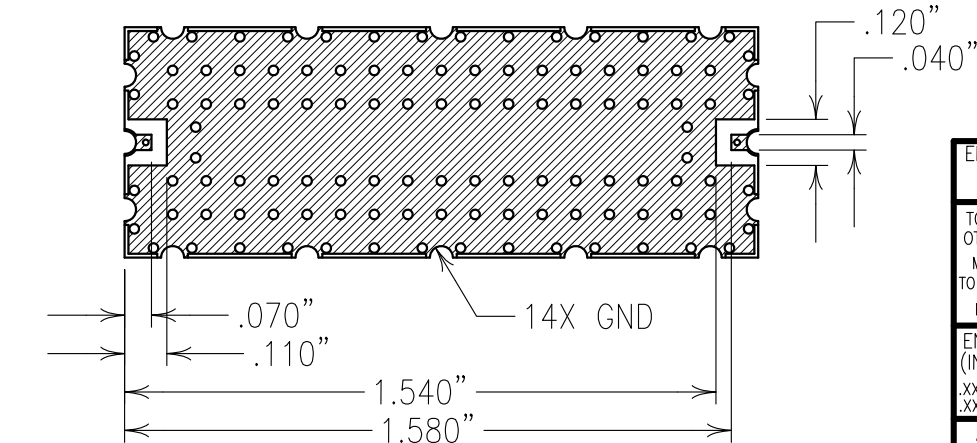
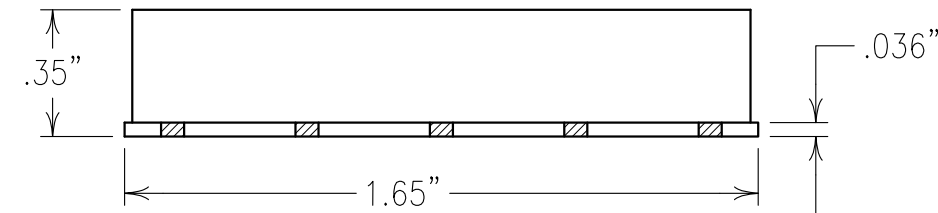
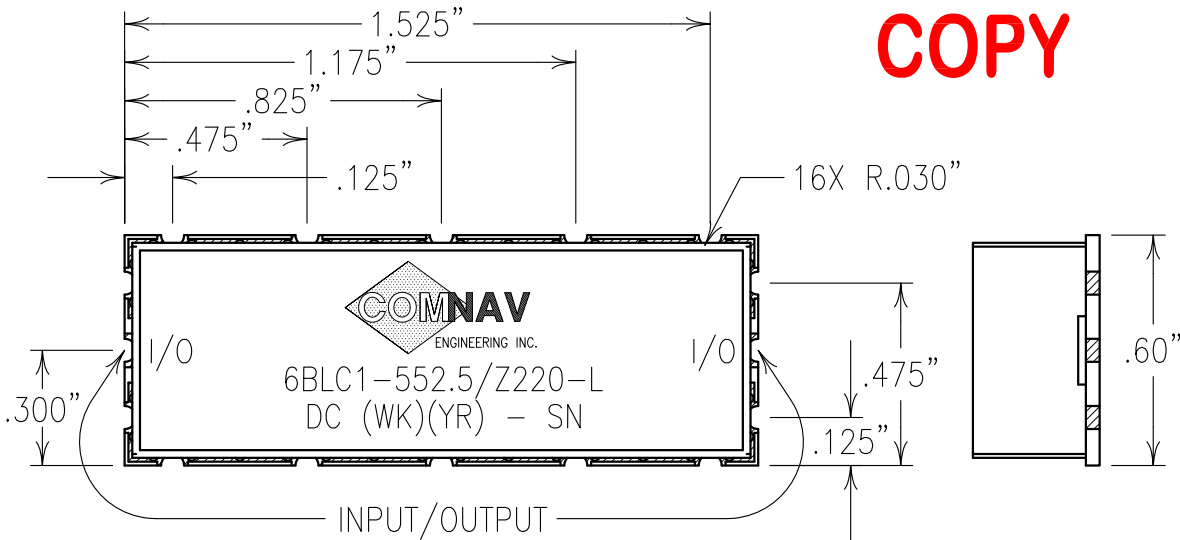


COPY



ELECTRICAL CHARACTERISTICS

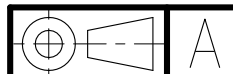
CENTER FREQUENCY: 552.5 MHz
 INSERTION LOSS: 1.5 dB MAX @ F0
 0.5 dB BANDWIDTH: 155 MHz MIN (475-630 MHz)
 RETURN LOSS: 15 dB MIN/TYP
 REJECTION:
 30 dBc MIN @ <420 MHz
 30 dBc MIN @ >710 MHz
 IMPEDANCE: 50 OHM NOM
 TEMP. RANGE: -40 TO +85°C

NOTES:

NO TIN PLATING UNDER SOLDER MASK.
 RECOMMENDED ATTACHMENT METHOD:
 SILVER EPOXY OR REFLOW NOT TO EXCEED
 AS INDICATED BELOW:

TEMP.(°C)	MAX.TIME(SEC)
215	90
230	60
245	30
260	15

FILTER IS ROHS COMPLIANT.



Confidential and Proprietary information of ComNav Engineering Inc. Do Not Duplicate or Use Without Permission. ComNav Engineering Inc. claims Copyright in this document as of the Creation, last revision, and last updated dates. All Rights Reserved.

ENGLISH / METRIC ENGLISH	CHECKED BY				
TOLERANCES UNLESS OTHERWISE SPECIFIED	DRAWN BY				
MACHINED SURFACES TO BE 125 / OR BETTER REMOVE ALL BURRS	ENGINEER	II	14SEP11	KJR	DEV. INT. ISS. PER 3437
ENGLISH (INCHES)	METRIC (MM)	SCALE	APPLIC: LC FILTER		
.XX ±.02	.X ±.25	2:1	TITLE: 6BLC1-552.5/Z220-L		
.XXX ±.010	.XX ±.13	DATE	11NOV11		
ANGLES ± 0° 30'	FINISH:	BOARD: NI/AU PLATED COPPER		DRAWING No. OL1235	
	JACKET: NI/SILVER	RESONATOR: SILVER		SHEET OF 1 1	