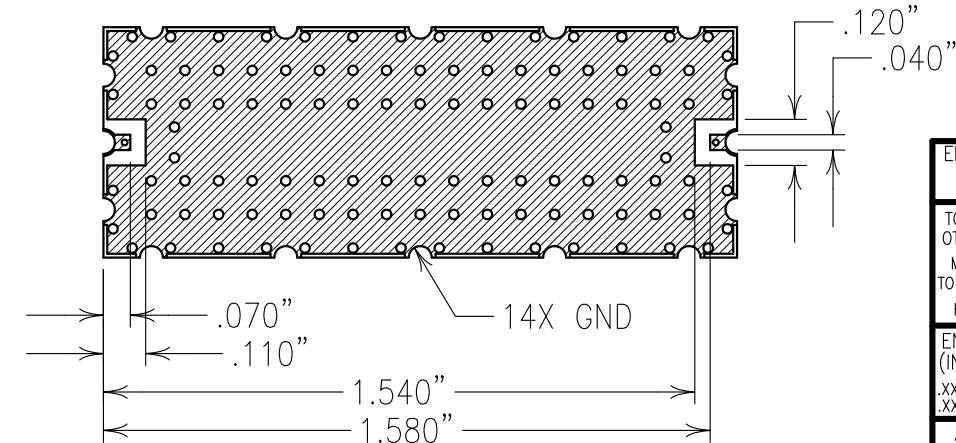
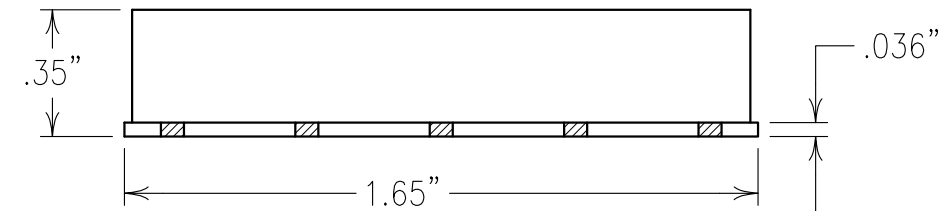
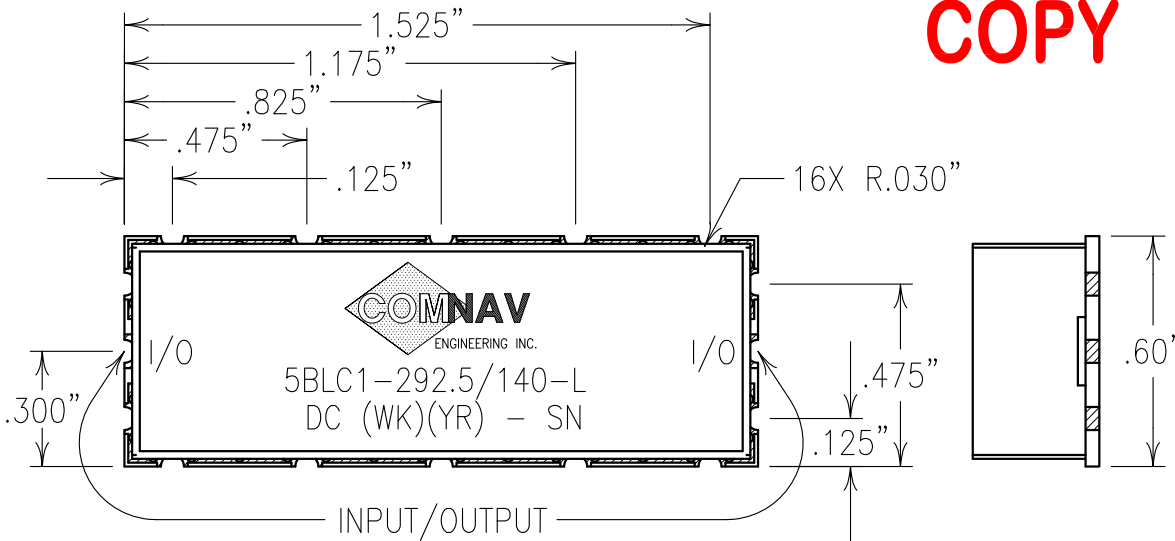


**COPY**



**ELECTRICAL CHARACTERISTICS**

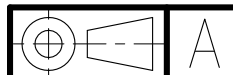
CENTER FREQUENCY: 292.5 MHz  
 INSERTION LOSS: 1.7 dB MAX @ F0  
 0.5 dB BANDWIDTH: 105 MHz MIN (240-345 MHz)  
 RETURN LOSS: 15 dB MIN/TYP  
 REJECTION:  
 30 dBc MIN @ <200 MHz  
 30 dBc MIN @ >410 MHz  
 IMPEDANCE: 50 OHM NOM  
 TEMP. RANGE: -40 TO +85°C

**NOTES:**

NO TIN PLATING UNDER SOLDER MASK.  
 RECOMMENDED ATTACHMENT METHOD:  
 SILVER EPOXY OR REFLOW NOT TO EXCEED  
 AS INDICATED BELOW:

TEMP.(°C)	MAX.TIME(SEC)
215	90
230	60
245	30
260	15

FILTER IS ROHS COMPLIANT.



Confidential and Proprietary information of ComNav Engineering Inc. Do Not Duplicate or Use Without Permission. ComNav Engineering Inc. claims Copyright in this document as of the Creation, last revision, and last updated dates. All Rights Reserved.

ENGLISH / METRIC ENGLISH	CHECKED BY				
TOLERANCES UNLESS OTHERWISE SPECIFIED	DRAWN BY PBF				
MACHINED SURFACES TO BE 125 / OR BETTER REMOVE ALL BURRS	ENGINEER KJR	II	14SEP11	KJR	DEV. INT. ISS. PER 3437
		REV	DATE	BY	DCN No. REMARKS
ENGLISH (INCHES) .XX ±.02 .XXX ±.010	METRIC (MM) .X ±.25 .XX ±.13	SCALE 2:1	APPLIC: LC FILTER		
ANGLES ± 0° 30'	DATE 17JAN12	TITLE: 5BLC1-292.5/140-L			
	FINISH: BOARD: NI/AU PLATED COPPER JACKET: NI/SILVER RESONATOR: SILVER	DRAWING No. OL1233		SHEET OF 1 1	