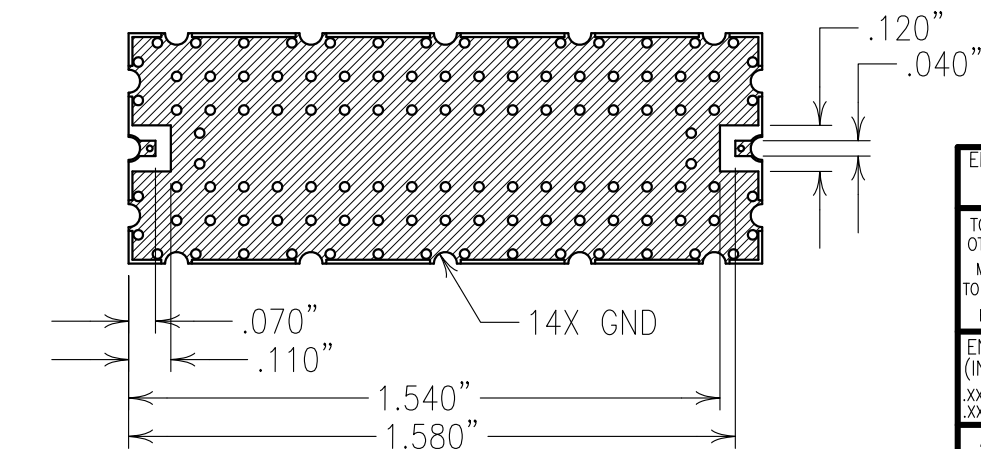
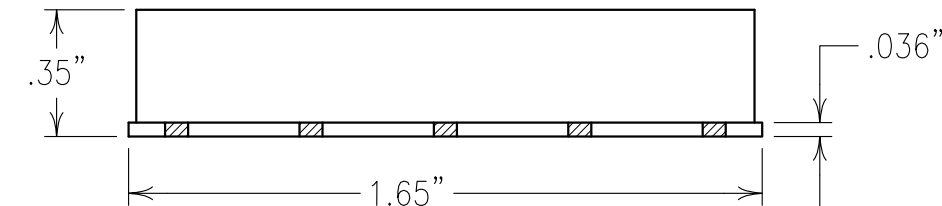
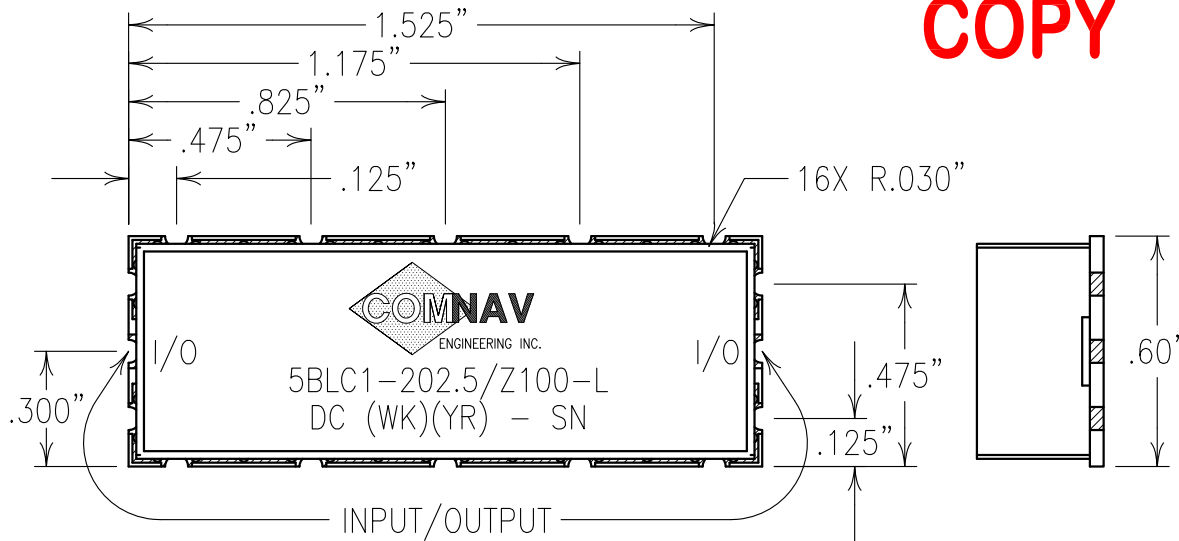


COPY



ELECTRICAL CHARACTERISTICS

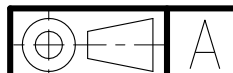
CENTER FREQUENCY: 202.5 MHz
 INSERTION LOSS: 1.7 dB MAX @ FO
 0.5 dB BANDWIDTH: 75 MHz MIN (165-240 MHz)
 RETURN LOSS: 15 dB MIN/TYP
 REJECTION:
 30 dBc MIN @ <138 MHz
 30 dBc MIN @ >285 MHz
 IMPEDANCE: 50 OHM NOM
 TEMP. RANGE: -40 TO +85°C

NOTES:

NO TIN PLATING UNDER SOLDER MASK.
 RECOMMENDED ATTACHMENT METHOD:
 SILVER EPOXY OR REFLOW NOT TO EXCEED
 AS INDICATED BELOW:

TEMP.(°C)	MAX.TIME(SEC)
215	90
230	60
245	30
260	15

FILTER IS ROHS COMPLIANT.



Confidential and Proprietary information of ComNav Engineering Inc. Do Not Duplicate or Use Without Permission. ComNav Engineering Inc. claims Copyright in this document as of the Creation, last revision, and last updated dates. All Rights Reserved.

ENGLISH / METRIC ENGLISH	CHECKED BY				
TOLERANCES UNLESS OTHERWISE SPECIFIED MACHINED SURFACES TO BE 125 / OR BETTER REMOVE ALL BURRS	DRAWN BY PBF				
	ENGINEER KJR	II	14SEP11	KJR	DEV. INT. ISS. PER 3437
		REV	DATE	BY	DCN No. REMARKS
ENGLISH (INCHES) .XX ±.02 .XXX ±.010	METRIC (MM) .X ±.25 .XX ±.13	SCALE 2:1	APPLIC: LC FILTER		
ANGLES ± 0° 30'	DATE 09NOV11	TITLE: 5BLC1-202.5/Z100-L			
COMNAV ENGINEERING INC.	FINISH: BOARD: NI/AU PLATED COPPER JACKET: NI/SILVER RESONATOR: SILVER	DRAWING No. OL1232		SHEET OF 1 1	