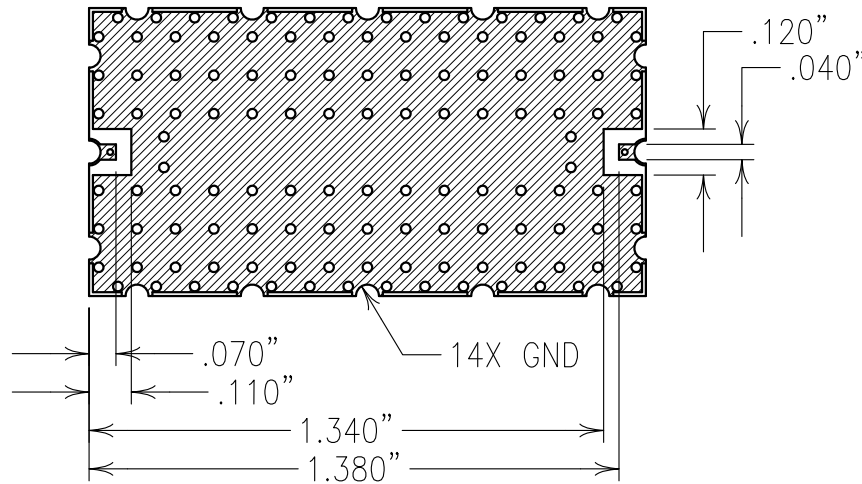
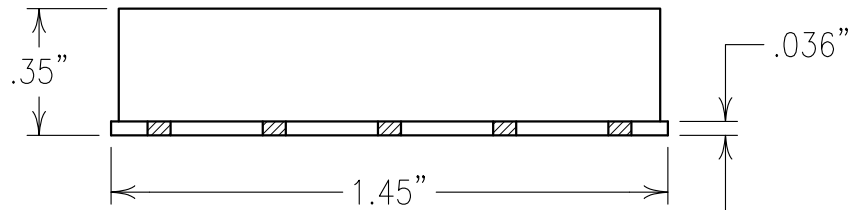
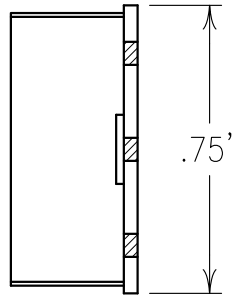
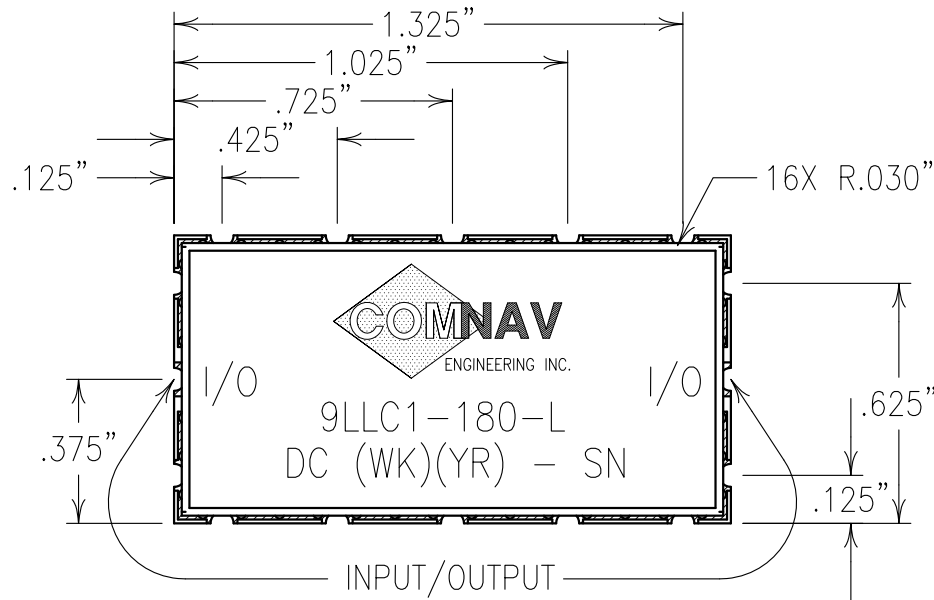


2

1

COPY



ELECTRICAL CHARACTERISTICS

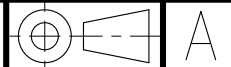
PASSBAND: DC-165 MHz
 PASSBAND INSERTION LOSS: 1.7 dB MAX
 PASSBAND FLATNESS: 1.2 dB MAX
 PASSBAND RETURN LOSS: 15 dB MIN/TYP
 REJECTION: 40 dBc MIN @210-1200 MHz:
 IMPEDANCE: 50 OHM NOM
 TEMP. RANGE: -40 TO +85°C

NOTES:
 NO TIN PLATING UNDER SOLDER MASK.
 RECOMMENDED ATTACHMENT METHOD:
 SILVER EPOXY OR REFLOW NOT TO
 EXCEED AS INDICATED BELOW:
 TEMP.(°C) MAX.TIME(SEC)

215	90
230	60
245	30
260	15

FILTER IS ROHS COMPLIANT.

Confidential and Proprietary information of ComNav Engineering Inc. Do Not Duplicate or Use Without Permission. ComNav Engineering Inc. claims Copyright in this document as of the Creation, last revision, and last updated dates. All Rights Reserved.



ENGLISH / METRIC ENGLISH	CHECKED BY						
TOLERANCES UNLESS OTHERWISE SPECIFIED MACHINED SURFACES TO BE 125 / OR BETTER REMOVE ALL BURRS	DRAWN BY PBF						
	ENGINEER KJR	II	14SEP11	KJR	DEV.		INT. ISS. PER 3437
		REV	DATE	BY	DCN No.		REMARKS
ENGLISH (INCHES) .XX ±.02 .XXX ±.010	METRIC (MM) .X ±.25 .XX ±.13	SCALE 2:1	APPLIC: LC FILTER				
ANGLES ± 0° 30'	DATE 18JAN12	TITLE: 9LLC1-180-L					
COMNAV ENGINEERING INC.	FINISH: BOARD: NI/AU PLATED COPPER JACKET: NI/SILVER RESONATOR: SILVER				DRAWING No. OL1231		SHEET OF 1 1