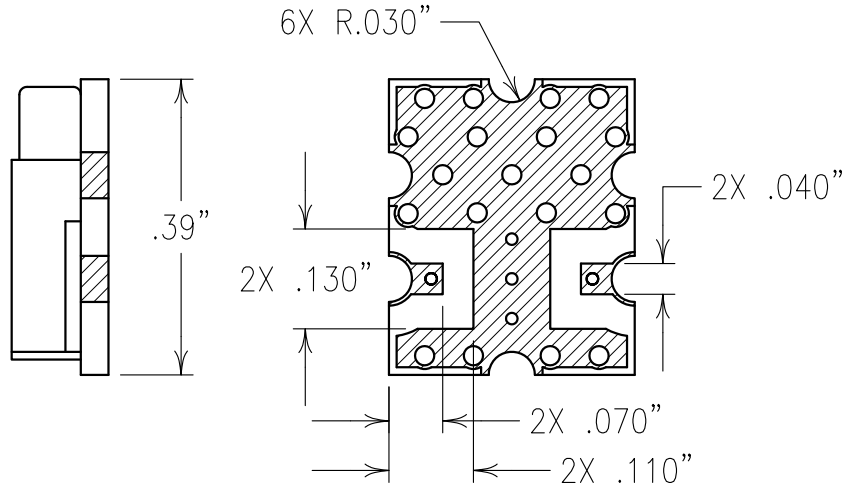
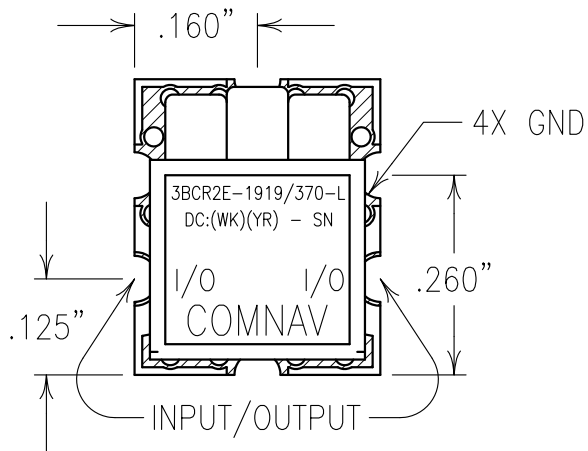
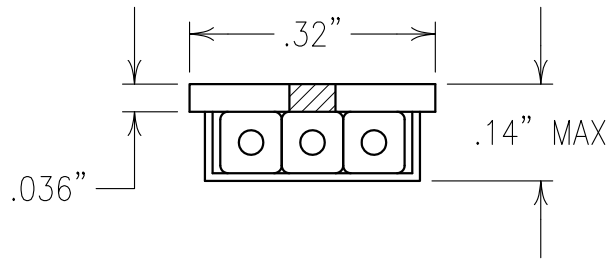


ELECTRICAL CHARACTERISTICS

CENTER FREQUENCY: 1919 MHz
 INSERTION LOSS: 1.0 dB MAX @ FO
 BANDWIDTH 0.5 dBc: 288 MHz MIN
 VSWR: 2.0:1 TYP
 REJECTION: 30 dBc MIN @ 2930-3225 MHz

COPY



Confidential and Proprietary information of ComNav Engineering Inc. Do Not Duplicate or Use Without Permission. ComNav Engineering Inc. claims Copyright in this document as of the Creation, last revision, and last updated dates. All Rights Reserved.

ENGLISH / METRIC ENGLISH	CHECKED BY				
TOLERANCES UNLESS OTHERWISE SPECIFIED MACHINED SURFACES TO BE 125 OR BETTER REMOVE ALL BURRS	DRAWN BY PBF	II	15SEP11	KJR	DEV.
	ENGINEER KJR	REV	DATE	BY	DCN No.
					REMARKS
					INI. ISS. PER 3437

NOTES:

RECOMMENDED ATTACHMENT METHOD: SILVER EPOXY OR REFLOW NOT TO EXCEED AS INDICATED BELOW:

TEMP.(°C)	MAX.TIME(SEC)
215	90
230	60
245	30
260	15

FILTER IS ROHS COMPLIANT.
 FILTER MAY BE ETCHED OR LABELED.

ENGLISH (INCHES)	METRIC (MM)	SCALE 4:1	APPLIC: CERAMIC COAXIAL FILTER
.XX ±.01 .XXX ±.005	.X ±.2 .XX ±.13	DATE 03NOV11	TITLE: 3BCR2E-1919/370-L
ANGLES ± 0° 30'		FINISH: BOARD: NICKEL/GOLD JACKET: NICKEL/SILVER RESONATOR: SILVER	DRAWING No. 0L1225
			SHEET OF 1 1