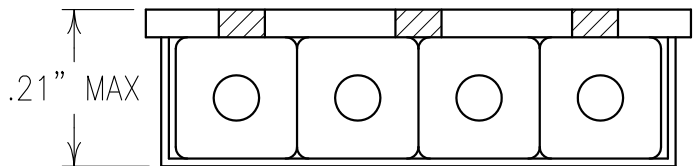


2

1

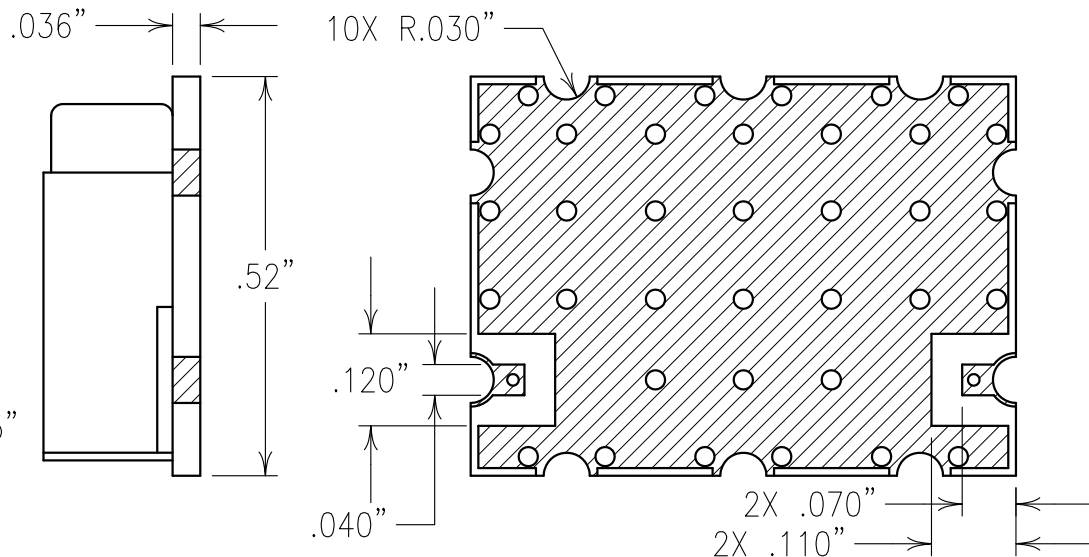
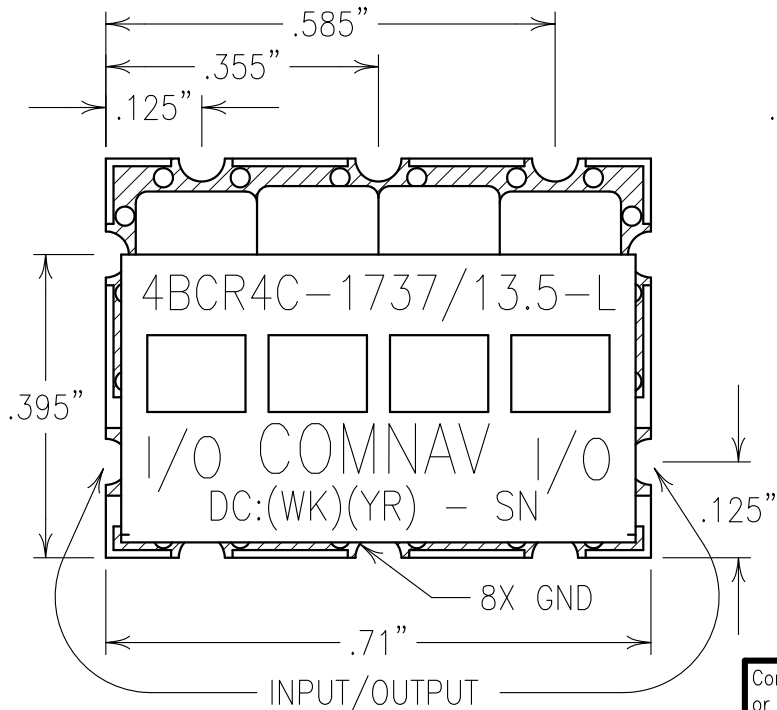


.21" MAX

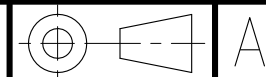
**COPY**

### ELECTRICAL CHARACTERISTICS

CENTER FREQUENCY: 1737 MHz NOM  
 INSERTION LOSS @ F0: 5 dB MAX  
 BANDWIDTHS:  
 1 dBc: 10 MHz MIN  
 40 dBc: 60 MHz MAX  
 80 dBc MAX GOAL/  
 65 dBc MIN: 280 MHz MAX



Confidential and Proprietary information of ComNav Engineering Inc. Do Not Duplicate or Use Without Permission. ComNav Engineering Inc. claims Copyright in this document as of the Creation, last revision, and last updated dates. All Rights Reserved.



#### NOTES:

RECOMMENDED ATTACHMENT METHOD: SILVER EPOXY  
 OR REFLOW NOT TO EXCEED AS INDICATED BELOW:  
 TEMP.(°C) MAX.TIME(SEC)

215	90
230	60
245	30
260	15

FILTER IS ROHS COMPLIANT.  
 FILTER MAY BE LABELED OR ETCHED.

ENGLISH / METRIC ENGLISH	CHECKED BY				
TOLERANCES UNLESS OTHERWISE SPECIFIED MACHINED SURFACES TO BE 125/ OR BETTER REMOVE ALL BURRS	DRAWN BY PBF				
ENGLISH (INCHES) .XX ±.02 .XXX ±.01	ENGINEER KJR	REV II	DATE 14SEP11	BY KJR	DEV. INI. ISS. PER 3437
METRIC (MM) .X ±.25 .XX ±.13	SCALE 4:1	APPLIC: CERAMIC COAXIAL FILTER			
ANGLES ± 0° 30'	DATE 03NOV11	TITLE: 4BCR4C-1737/13.5-L			
	FINISH: BOARD: NI/AU JACKET: NI/SILVER RESONATOR: SILVER	DRAWING No. OL1222			SHEET/OF 1/1