

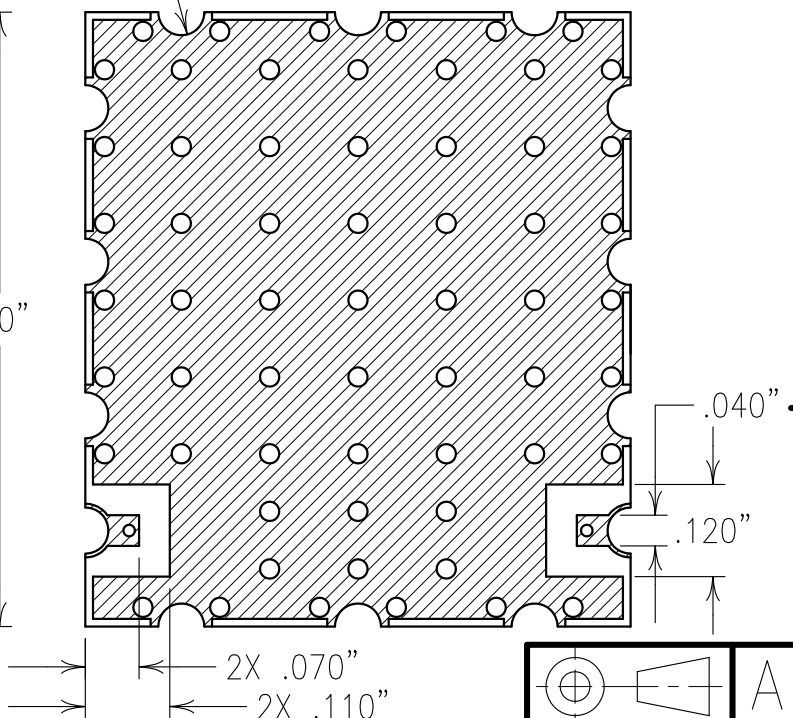
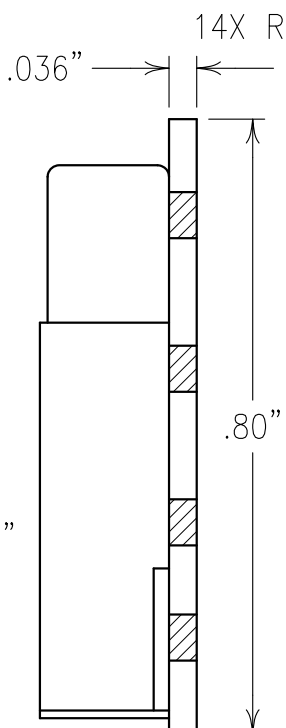
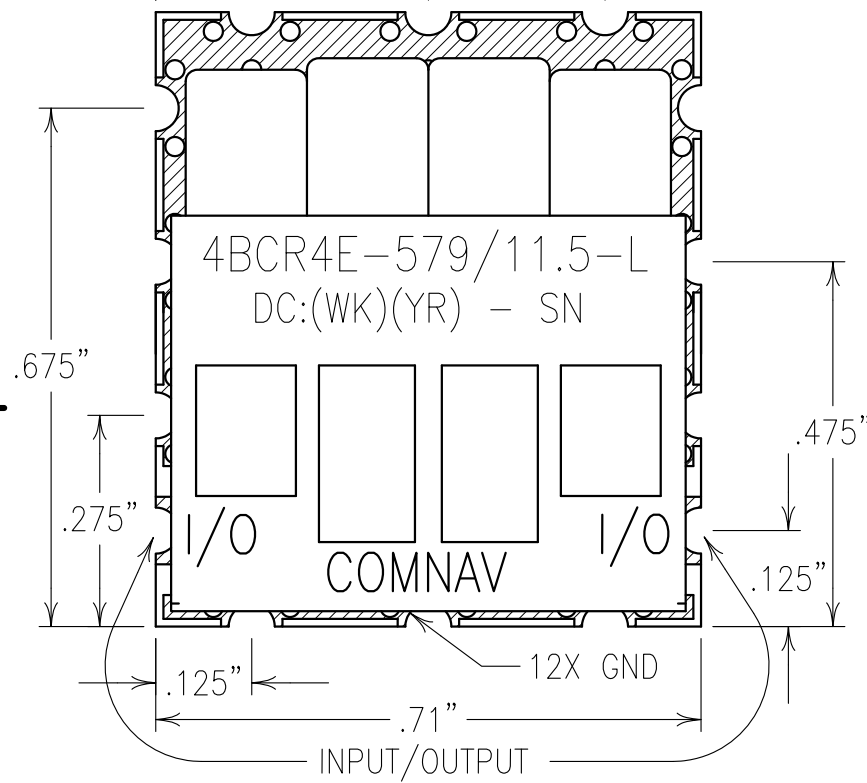
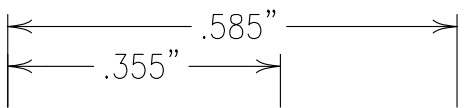
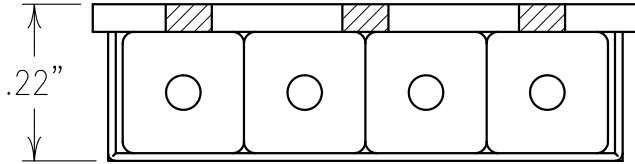
2

1

COPY

ELECTRICAL CHARACTERISTICS

CENTER FREQUENCY: 579 MHz NOM
 INSERTION LOSS @ FO: 4 dB MAX
 BANDWIDTHS:
 1 dBc: 10 MHz MIN
 40 dBc: 50 MHz MAX
 80 dBc MAX GOAL/
 65 dBc MIN: 280 MHz MAX



NOTES:
 RECOMMENDED ATTACHMENT METHOD: SILVER EPOXY
 OR REFLOW NOT TO EXCEED AS INDICATED BELOW:
 TEMP.(°C) MAX.TIME(SEC)

215	90	FILTER IS ROHS COMPLIANT.
230	60	FILTER MAY BE LABELED OR ETCHED.
245	30	
260	15	

Confidential and Proprietary information of ComNav Engineering Inc.
 Do Not Duplicate or Use Without Permission. ComNav Engineering Inc.
 claims Copyright in this document as of the Creation, last revision,
 and last updated dates. All Rights Reserved.

ENGLISH / METRIC ENGLISH	CHECKED BY				
TOLERANCES UNLESS OTHERWISE SPECIFIED MACHINED SURFACES TO BE 125 / OR BETTER REMOVE ALL BURRS	DRAWN BY PBF				
ENGLISH (INCHES) .XX ±.02 .XXX ±.01	ENGINEER KJR	II	14SEP11	KJR	DEV. INI. ISS. PER 3437
METRIC (MM) .X ±.25 .XX ±.13	REV	DATE	BY	DCN No.	REMARKS
ANGLES ± 0° 30'	SCALE 4:1	APPLIC: CERAMIC COAXIAL FILTER			
	DATE 03NOV11	TITLE: 4BCR4E-579/11.5-L			
	FINISH: BOARD: NI/AU JACKET: NI/SILVER RESONATOR: SILVER	DRAWING No. OL1221		SHEET/OF 1/1	