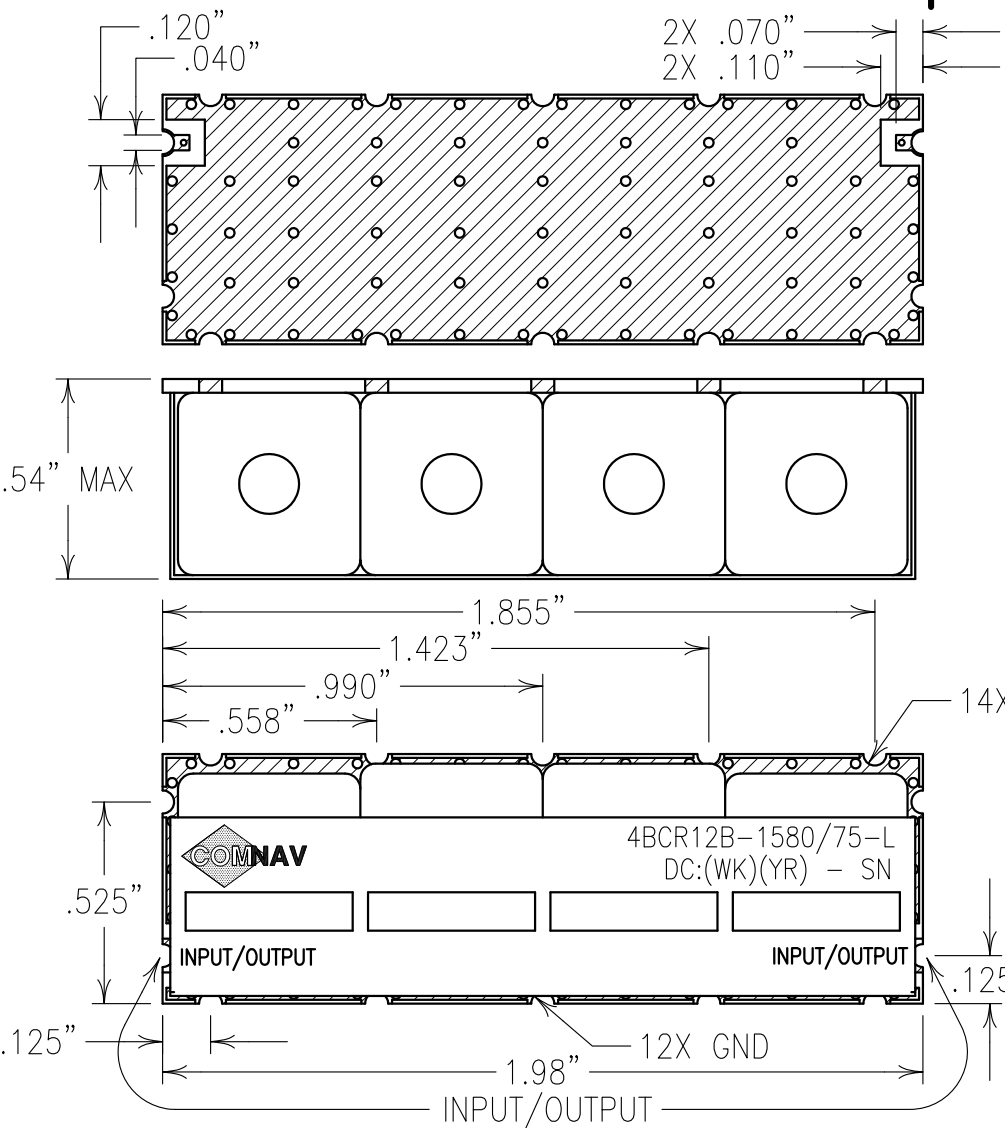


2

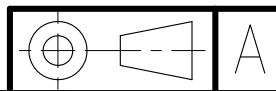
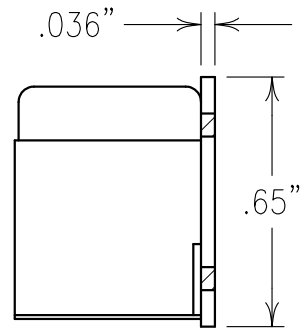
1



ELECTRICAL CHARACTERISTICS

CENTER FREQUENCY:	1580 MHz NOM
PASSBAND:	1555-1605 MHz
PASSBAND RIPPLE:	<1.0 dB
INSERTION LOSS:	<0.9 dB @ ROOM, 0.95 dB OVER TEMPERATURE
REJECTION:	
AT 1536 MHz:	>5 dB
AT 1627 MHz:	>5 dB
AT 1500 MHz:	>25 dB
AT 1650 MHz:	>25 dB
AVERAGE INPUT POWER:	0 dBm
OPERATING TEMP.:	-40 TO +85°C
IMPEDANCE:	50 OHMS IN/OUT
OPERATING HUMIDITY RANGE:	0 TO 90% NON-CONDUCTING

**COPY**



NOTES: RECOMMENDED ATTACHMENT METHOD:  
SILVER EPOXY OR REFLOW NOT TO EXCEED:  
MAX. TIME  
TEMP.(°C) (SECONDS)

215	90
230	60
245	30
260	15

FILTER IS ROHS COMPLIANT.  
FILTER MAY BE LABELED OR ETCHED.

Confidential and Proprietary information of ComNav Engineering Inc. Do Not Duplicate or Use Without Permission. ComNav Engineering Inc. claims Copyright in this document as of the Creation, last revision, and last updated dates. All Rights Reserved.

ENGLISH / METRIC ENGLISH	CHECKED BY				
TOLERANCES UNLESS OTHERWISE SPECIFIED MACHINED SURFACES TO BE 125 / OR BETTER REMOVE ALL BURRS	DRAWN BY PBF	A	03JAN12	KJR	DEV. GEN. REV. PER 3484
	ENGINEER KJR	II	08SEP11	KJR	DEV. INI. ISS. PER 3435
	REVISION	REV	DATE	BY	DCN No. REMARKS
ENGLISH (INCHES) .XX ±.02 .XXX ±.01	METRIC (MM) .X ±.25 .XX ±.13	SCALE 2:1	APPLIC: CERAMIC COAXIAL FILTER		
ANGLES ± 0° 30'	DATE 03JAN12	TITLE: 4BCR12B-1580/75-L			
COMNAV ENGINEERING INC.	FINISH: BOARD: NI/AU JACKET: NI/SILVER RESONATOR: SILVER	DRAWING No. OL1220	SHEET/OF 1/1		