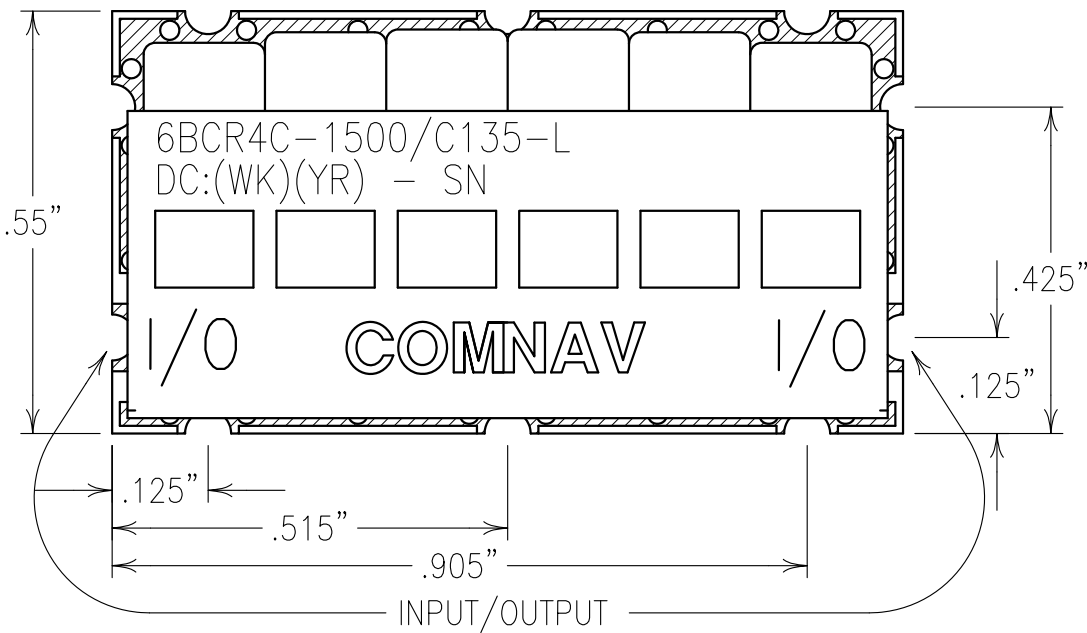


2

1

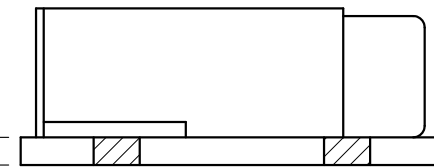
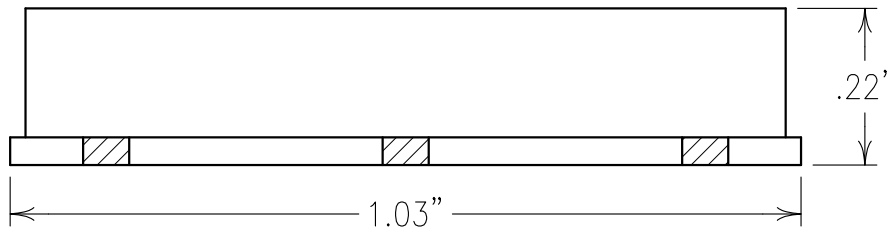


ELECTRICAL CHARACTERISTICS

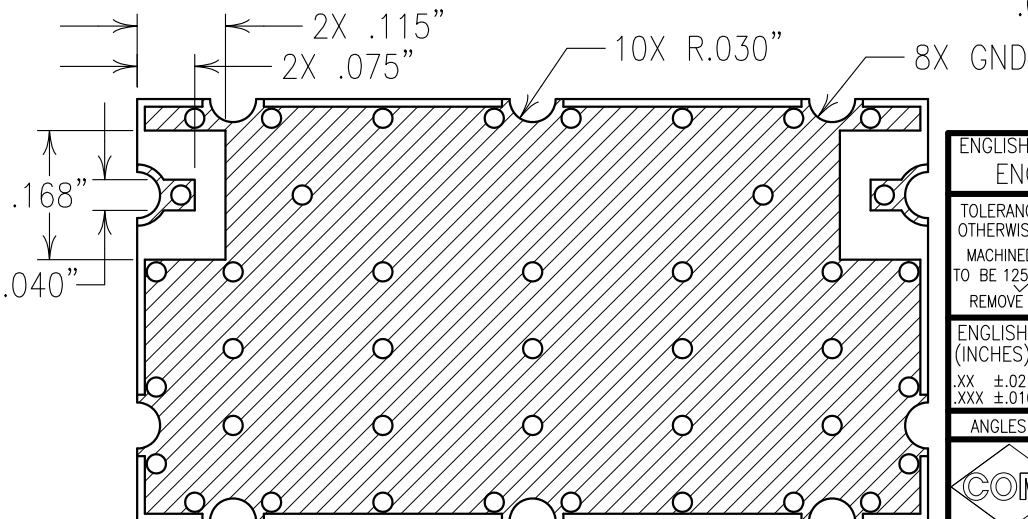
CENTER FREQUENCY: 1500 MHz
 CENTER FREQUENCY TOL.: ±5 MHz AVE. OF 3 dB POINTS
 1 dB BANDWIDTH: 100 MHz NOM
 INSERTION LOSS: 1.5 dB MAX @ FO
 RETURN LOSS: 14 dB MIN ACROSS 1.0 dB PASSBAND
 REJECTION:
 50 dB MIN @ 1360 MHz
 50 dB MIN @ 1640-3000 MHz
 OPERATING TEMPERATURE: 0° TO +50°C

NOTES:

RECOMMENDED FOOTPRINT: FP0126.
 RECOMMENDED ATTACHMENT METHOD: SILVER EPOXY OR REFLOW NOT TO EXCEED AS INDICATED BELOW:
 TEMP.(°C) MAX. TIME(SEC)
 215 90
 230 60
 245 30 FILTER MAY BE LABELED OR ETCHED.
 260 15 FILTER IS ROHS COMPLIANT.



COPY



Confidential and Proprietary information of ComNav Engineering Inc. Do Not Duplicate or Use Without Permission. ComNav Engineering Inc. claims Copyright in this document as of the Creation, last revision, and last updated dates. All Rights Reserved.

ENGLISH / METRIC ENGLISH	CHECKED BY				
TOLERANCES UNLESS OTHERWISE SPECIFIED	DRAWN BY				
MACHINED SURFACES TO BE 125 / OR BETTER	ENGINEER	II	25AUG11	KJR	DEV. INI. ISS. PER 3430
REMOVE ALL BURRS	ENGINEER	KJR	REV	DATE	BY DCN No. REMARKS
ENGLISH (INCHES)	METRIC (MM)	SCALE	APPLIC: CERAMIC COAXIAL FILTER		
.XX ±.02	.X ±.25	4:1	TITLE: 6BCR4C-1500/C135-L		
.XXX ±.010	.XX ±.13	DATE	DRAWING No. SHEET OF		
ANGLES ± 0° 30'		26AUG11	OL1214		1 1
COMNAV ENGINEERING INC	FINISH:	BOARD: NI/GOLD JACKET: NI/SILVER RESONATOR: SILVER			