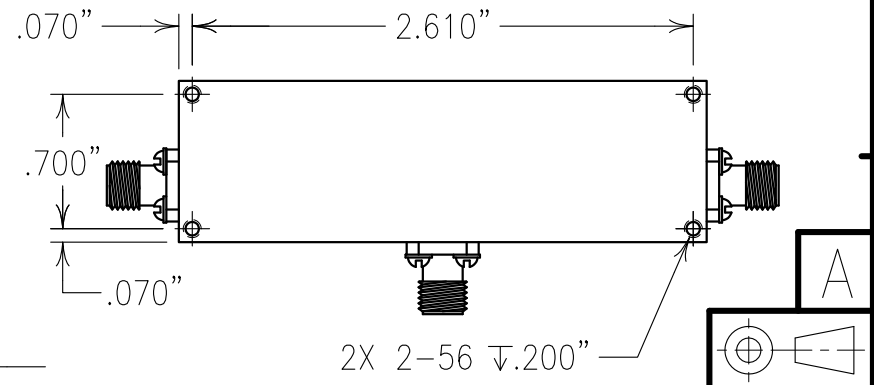
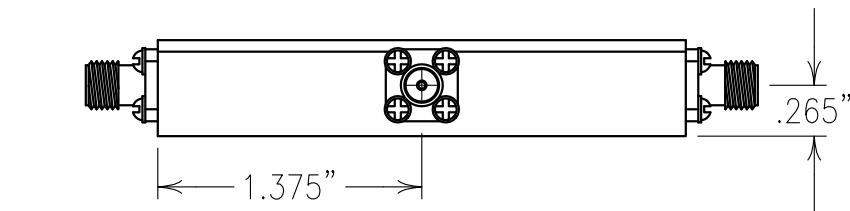
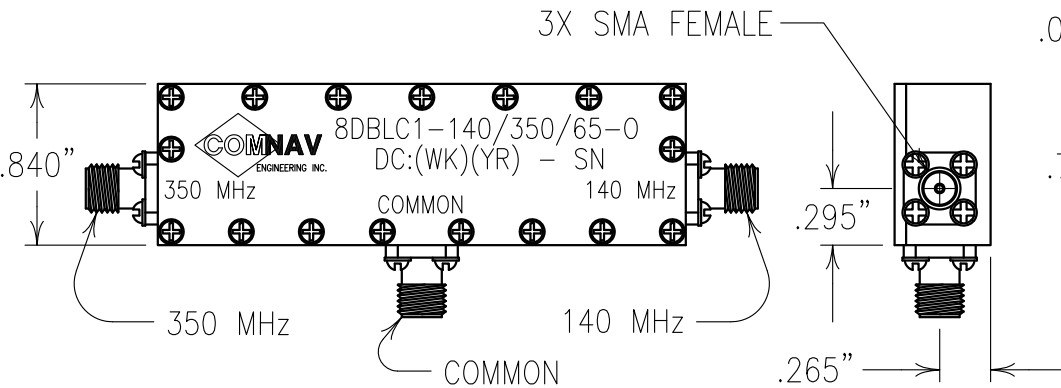
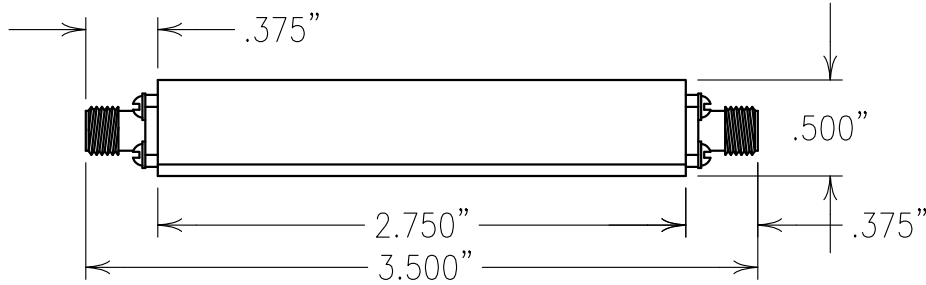


**COPY**

# ELECTRICAL CHARACTERISTICS

	CHANNEL 1	CHANNEL 2
CENTER FREQUENCY:	140 MHz	350 MHz
3.0 dB BANDWIDTH:	65 MHz NOM	65 MHz NOM
1 dB PASSBAND:	110-170 MHz	320-380 MHz
RIPPLE:	< ±0.1 dB	< ±0.1 dB
VSWR:	< 1.5:1	< 1.5:1
INSERTION LOSS:	< 1.0 dB	< 1.0 dB
DELAY VAR.:	< 6 nSEC	< 6 nSEC
REJECTION:	50dB @ 320MHz	80dB @ 170MHz
ULTIMATE REJECTION:	> 80 dB	> 80 dB
IMPEDANCE:	50 OHMS	50 OHMS



Confidential and Proprietary information of ComNav Engineering Inc. Do Not Duplicate or Use Without Permission. ComNav Engineering Inc. claims Copyright in this document as of the Creation, last revision, and last updated dates. All Rights Reserved.

ENGLISH / METRIC CHECKED BY ENGLISH					
TOLERANCES UNLESS OTHERWISE SPECIFIED MACHINED SURFACES TO BE 125/ OR BETTER REMOVE ALL BURRS	DRAWN BY PBF	A	21OCT11	JMD	DEV. GEN. REV. PER 3454
	ENGINEER KJR	II	18AUG11	KJR	DEV. INI. ISS. PER 3425
	REV	DATE	BY	DCN No.	REMARKS

ENGLISH (INCHES) .XX ±.02 .XXX ±.01	METRIC (MM) .X ±.2 .XX ±.13	SCALE 1:1	APPLIC: CHIP AND WIRE FILTER
ANGLES ± 0° 30'	DATE 21OCT11	TITLE: 8DBLC1-140/350/65-0	

NOTES:  
FILTER IS RTV SEALED FOR WEATHER RESISTANCE.

FILTER MAY BE LABELED OR ETCHED.  
FILTER IS ROHS COMPLIANT

<b>COMNAV</b> ENGINEERING INC.	MATERIAL: ALUMINUM 6061 FINISH: SILVER	DRAWING No. <b>OL1212</b>	SHEET OF 1 1
-----------------------------------	---	------------------------------	-----------------