

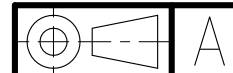
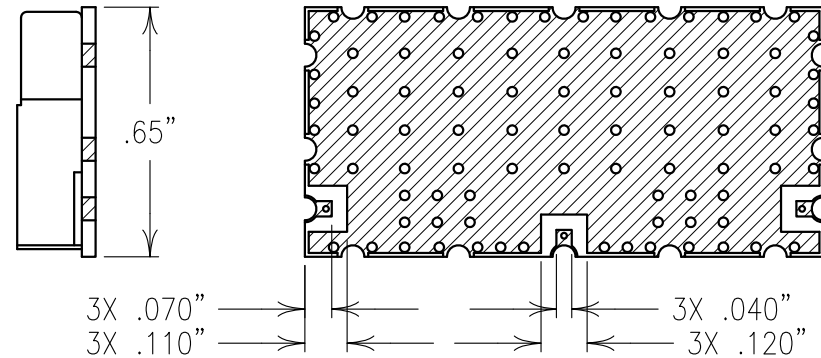
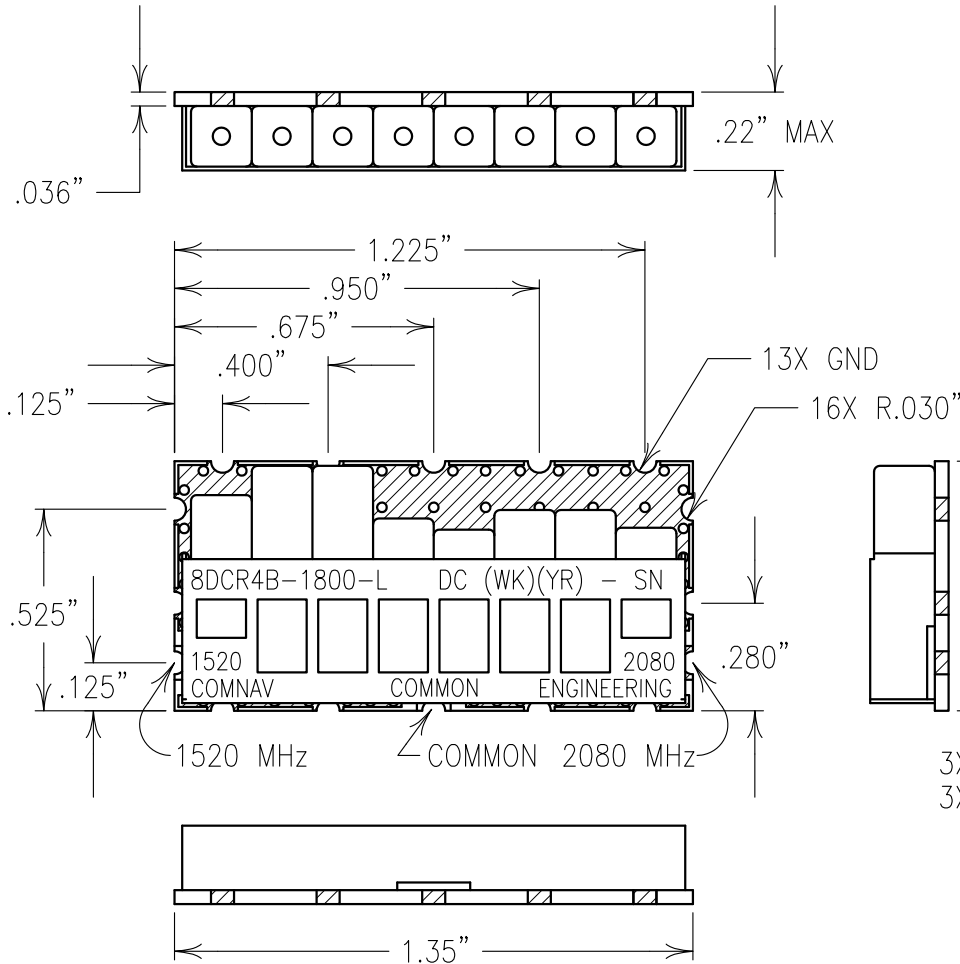
2

1

ELECTRICAL CHARACTERISTICS

2080 MHz CHANNEL	
PASSBAND:	2025-2140 MHz
GROUP DELAY FLATNESS:	<0.5 NSEC
PASSBAND LOSS:	0.85 dB
RETURN LOSS:	20 dB
REJECTION:	25 dBc @ 1800 MHz
1520 MHz CHANNEL	
ABSORPTION BAND:	1460-1575 MHz
ABSORPTION RETURN LOSS:	20 dB

COPY



Confidential and Proprietary information of ComNav Engineering Inc. Do Not Duplicate or Use Without Permission. ComNav Engineering Inc. claims Copyright in this document as of the Creation, last revision, and last updated dates. All Rights Reserved.

NOTES: RECOMMENDED ATTACHMENT METHOD: SILVER EPOXY OR REFLOW NOT TO EXCEED AS INDICATED BELOW:
 TEMP.(°C) MAX.TIME(SEC)

215	90
230	60
245	30
260	15

FILTER MAY BE ETCHED OR LABELED
 FILTER IS ROHS COMPLIANT

ENGLISH / METRIC ENGLISH	CHECKED BY B 07DEC11 KJR DEV.	GEN. REV. PER 3477
TOLERANCES UNLESS OTHERWISE SPECIFIED MACHINED SURFACES TO BE 125 OR BETTER REMOVE ALL BURRS	DRAWN BY A 17AUG11 MJG DEV.	GEN. REV. PER 3424
ENGINEER KJR	II 15JUL11 KJR DEV.	INI. ISS. PER 3411
ENGLISH (INCHES) .XX ±.02 .XXX ±.010	METRIC (MM) .X ±.50 .XX ±.25	SCALE 2:1
ANGLES ± 0° 30'	DATE 07DEC11	APPLIC: CERAMIC COAXIAL FILTER
FINISH: BOARD: NICKEL/GOLD JACKET: NICKEL/SILVER RESONATOR: SILVER	TITLE: 8DCR4B-1800-L	REMARKS
COMNAV ENGINEERING INC.	DRAWING No. OL1202	SHEET OF 1 1