

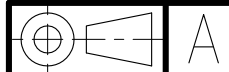
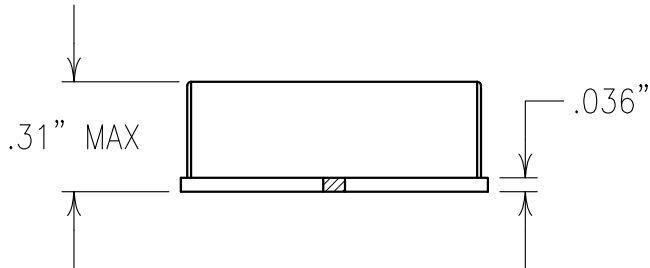
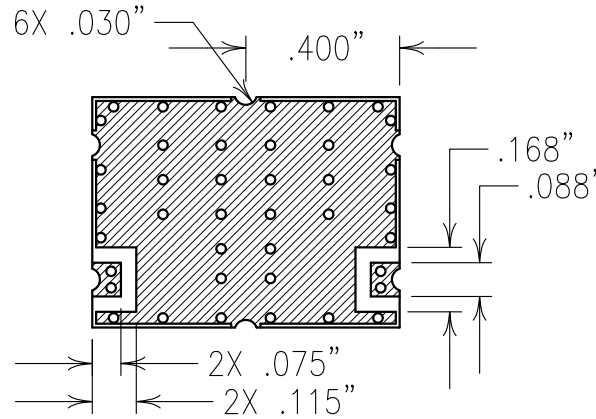
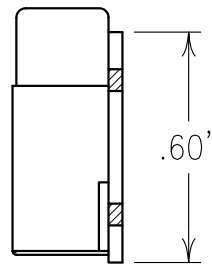
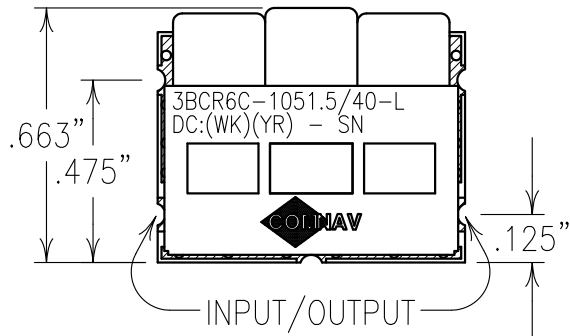
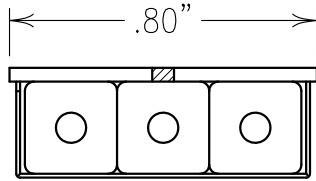
2

1

**COPY**

**ELECTRICAL CHARACTERISTICS**

CENTER FREQUENCY: 1051.5 MHz NOM  
 3 dB BANDWIDTH: 40 MHz MIN  
 REJECTION:  
 40 dBc @ 926.5 & 1176.5 MHz



Confidential and Proprietary information of ComNav Engineering Inc. Do Not Duplicate or Use Without Permission. ComNav Engineering Inc. claims Copyright in this document as of the Creation, last revision, and last updated dates. All Rights Reserved.

ENGLISH / METRIC	CHECKED BY				
ENGLISH					

TOLERANCES UNLESS OTHERWISE SPECIFIED	DRAWN BY				
MACHINED SURFACES TO BE 125 OR BETTER	PBF	II	13MAY11	KJR	DEV.

REMOVE ALL BURRS	ENGINEER	REV	DATE	BY	DCN No.	REMARKS
	KJR					

ENGLISH (INCHES)	METRIC (MM)	SCALE	APPLIC:
.XX ±.02	.X ±.50	2:1	CERAMIC COAXIAL FILTER

DATE	TITLE:
16MAY11	3BCR6C-1051.5/40-L

ANGLES ± 0° 30'	FINISH: BOARD: NICKEL/GOLD JACKET: NICKEL/SILVER	DRAWING No. 0L1198	SHEET OF 1 1
-----------------	---	-----------------------	-----------------

NOTES:  
 RECOMMENDED ATTACHMENT METHOD:  
 SILVER EPOXY OR REFLOW NOT TO EXCEED AS INDICATED BELOW:

TEMP.(°C)	MAX.TIME(SEC)
215	90
230	60
245	30
260	15

FILTER IS ROHS COMPLIANT.  
 FILTER MAY BE LABELED OR ETCHED.

