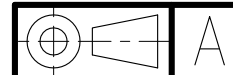
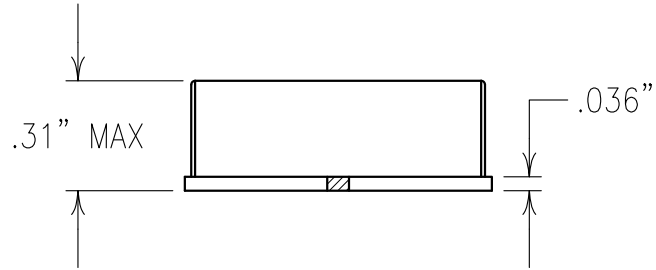
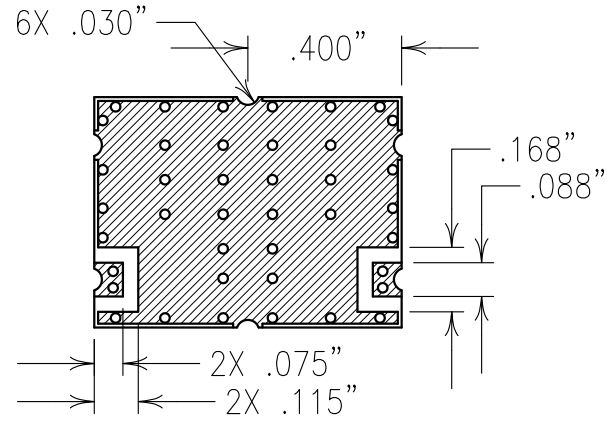
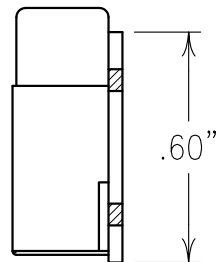
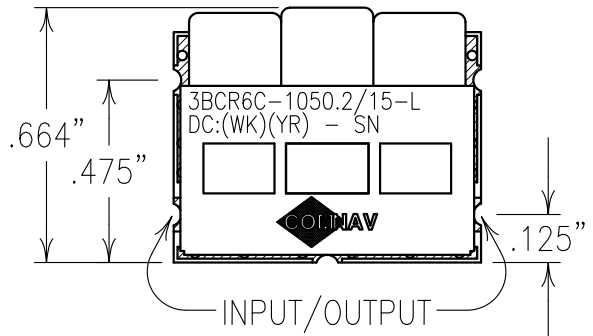
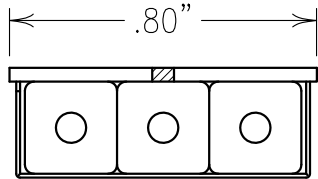


2

1

**ELECTRICAL CHARACTERISTICS**  
 CENTER FREQUENCY: 1050.2 MHz NOM  
 3 dB BANDWIDTH: 15 MHz MIN  
 REJECTION:  
 40 dBc @ 1000.2 & 1100.2 MHz

**COPY**



Confidential and Proprietary information of ComNav Engineering Inc. Do Not Duplicate or Use Without Permission. ComNav Engineering Inc. claims Copyright in this document as of the Creation, last revision, and last updated dates. All Rights Reserved.

NOTES:  
 RECOMMENDED ATTACHMENT METHOD:  
 SILVER EPOXY OR REFLOW NOT TO  
 EXCEED AS INDICATED BELOW:

TEMP.(°C)	MAX.TIME(SEC)
215	90
230	60
245	30
260	15

FILTER IS ROHS COMPLIANT.  
 FILTER MAY BE LABELED OR ETCHED.

ENGLISH / METRIC	CHECKED BY				
ENGLISH					
TOLERANCES UNLESS OTHERWISE SPECIFIED TO BE 125 OR BETTER REMOVE ALL BURRS	DRAWN BY PBF	II	13MAY11	KJR	DEV. INI. ISS. PER 3391
	ENGINEER KJR	REV	DATE	BY	DCN No. REMARKS

ENGLISH (INCHES)	METRIC (MM)	SCALE 2:1	APPLIC: CERAMIC COAXIAL FILTER
.XX ±.02 .XXX ±.010	.X ±.50 .XX ±.25	DATE 16MAY11	TITLE: 3BCR6C-1050.2/15-L
ANGLES ± 0° 30'			

	FINISH: BOARD: NICKEL/GOLD JACKET: NICKEL/SILVER	DRAWING No. 0L1197	SHEET OF 1 1
--	-----------------------------------------------------	--------------------	--------------