

2

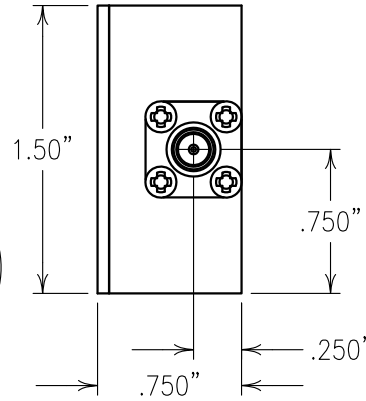
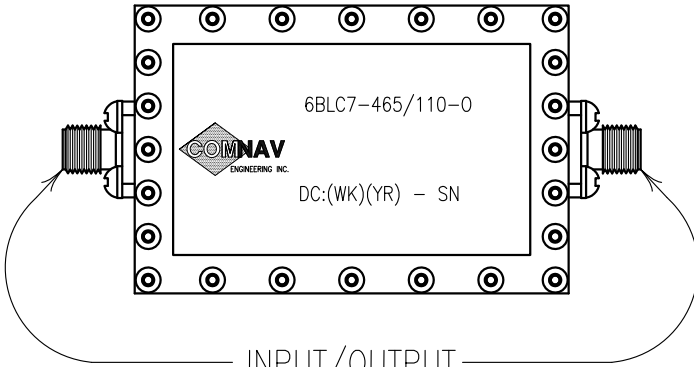
1

ELECTRICAL CHARACTERISTICS

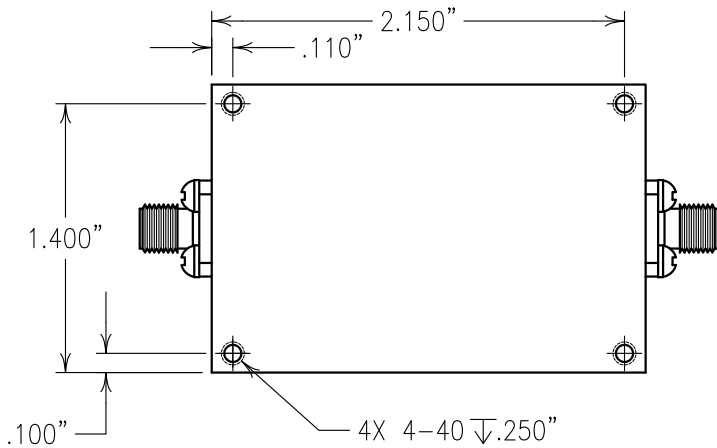
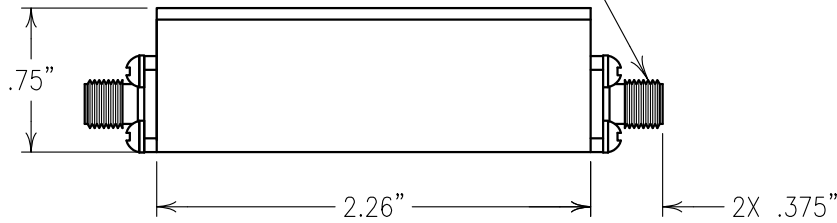
PASSBAND INSERTION LOSS:
 @ 420-510 MHz: 1.35 dB MAX
 @ 425-480 MHz: 0.85 dB MAX
 RETURN LOSS: 18 dB MIN. TYP.
 REJECTION: 150 MHz: 75 dBc MIN.
 800 MHz: 65 dBc MIN.
 RF POWER HANDLING: 100 WATTS
 IMPEDENCE: 50 Ohms IN/OUT

B

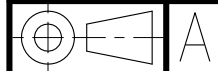
COPY



INPUT/OUTPUT
 2X FEMALE SMA



NOTES:
 FILTER MAY BE LABELED OR ETCHED.
 FILTER IS ROHS COMPLIANT.



A

ENGLISH / METRIC ENGLISH	CHECKED BY					
TOLERANCES UNLESS OTHERWISE SPECIFIED MACHINED SURFACES TO BE 125 / OR BETTER REMOVE ALL BURRS	DRAWN BY EEF	II	02MAY11	KJR	DEV.	INI. ISS. PER 3384
ENGLISH (INCHES) .XX ±.02 .XXX ±.010	METRIC (MM) .X ±.25 .XX ±.13	ENGINEER MJG	REV	DATE	BY	DCN No. REMARKS
ANGLES ± 0° 30'	SCALE 1:1	APPLIC: LC FILTER				
	DATE 12MAY11	TITLE: 6BLC7-465/110-0				

Confidential and Proprietary information of ComNav Engineering Inc. Do Not Duplicate or Use Without Permission. ComNav Engineering Inc. claims Copyright in this document as of the Creation, last revision, and last updated dates. All Rights Reserved.



MATERIAL: ALUMINUM 6061-T6	DRAWING No.	SHEET OF 1 1
FINISH: SILVER MATTE OVER COPPER WITH TARNA-BAN MILSPEC QQ-S-365B	OL1196	