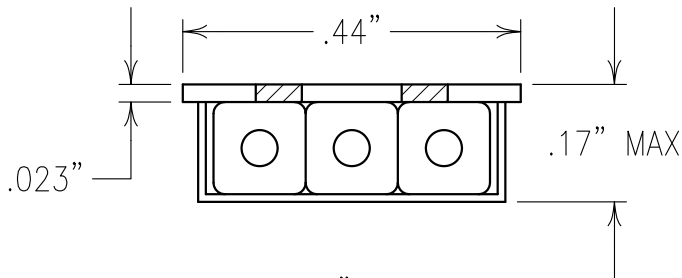


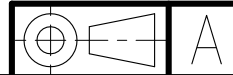
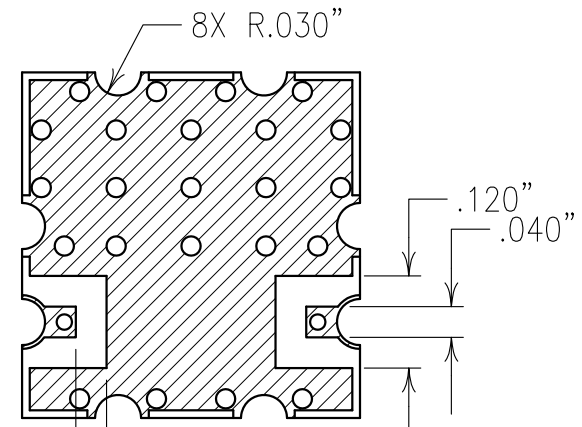
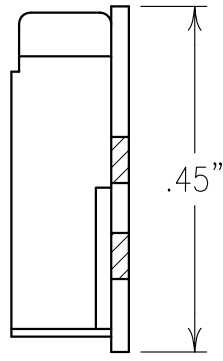
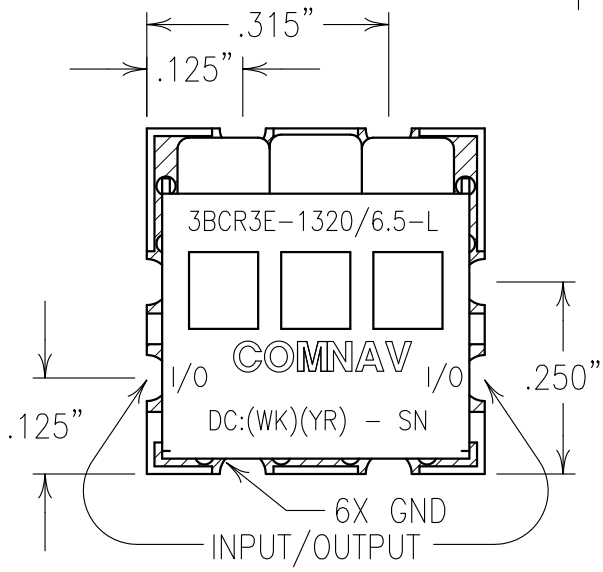
2

1

ELECTRICAL CHARACTERISTICS	
CENTER FREQUENCY:	1320 MHz
3 dB BANDWIDTH:	6.5 MHz NOM
INSERTION LOSS:	11.0 dB MAX @F0
RETURN LOSS:	1.7:1 TYPICAL
ATTENUATION:	
1310 MHz:	20 dBc MIN
1330 MHz:	20 dBc MIN
OPERATING TEMP:	-40 TO +85° C



**COPY**



Confidential and Proprietary information of ComNav Engineering Inc. Do Not Duplicate or Use Without Permission. ComNav Engineering Inc. claims Copyright in this document as of the Creation, last revision, and last updated dates. All Rights Reserved.

NOTES:

RECOMMENDED ATTACHMENT METHOD: SILVER EPOXY OR REFLOW NOT TO EXCEED AS INDICATED BELOW:

TEMP.(°C)	MAX.TIME(SEC)	
215	90	
230	60	
245	30	FILTER IS ROHS COMPLIANT.
260	15	FILTER MAY BE ETCHED OR LABELED.

ENGLISH / METRIC ENGLISH		CHECKED BY					
TOLERANCES UNLESS OTHERWISE SPECIFIED		DRAWN BY					
MACHINED SURFACES TO BE 125 / OR BETTER		PBF					
REMOVE ALL BURRS		II	05APR11	KJR	DEV.	INI. ISS. PER 3372	
		ENGINEER				REMARKS	
		KJR	REV	DATE	BY	DCN No.	
ENGLISH (INCHES)	METRIC (MM)	SCALE	APPLIC: CERAMIC COAXIAL FILTER				
.XX ±.02	.X ±.5	4:1	TITLE: 3BCR3E-1320/6.5-L				
.XXX ±.010	.XX ±.25	DATE	DRAWING No.				
ANGLES ± 0° 30'		06APR11	SHEET OF 1 1				
		FINISH: BOARD: NICKEL/GOLD PLATED COPPER			DRAWING No. OL1192		
		JACKET: NICKEL/SILVER					
		RESONATOR: SILVER					